

## SPECIFICATIONS

- Nominal AC Input** • 120V<sub>AC</sub>, 60Hz.
- Nominal ILC Output** • 120 V<sub>AC</sub>  
• ILC-600B: 600W (5.0A) maximum.  
• ILC-1000B: 1000W (8.3A) maximum.
- Surge let-through** • ANSI/IEEE C62.1991, Category B, Combination Wave, 6000V/3000A  
• Line-Neutral: 250V  
• Line-Ground: 250V  
• Neutral-Ground: 0.5V
- Efficiency** • 94 - 97%.
- Physical Dimensions** • ILC-600B and ILC-1000B:  
• 6" (152mm) wide, 5.25" (133mm) high, 9" (229mm) deep.
- Weight** • ILC-600B and ILC-1000B: 24 lbs (10.9 kg)
- Environment** • Operating Temperature: 0°C to 25°C (32°F to 77°F).  
• Relative Humidity: 90%, non-condensing at 25°C.
- Warranty** • Five years limited warranty, parts and labor.

## LIMITED WARRANTY

TSi Power Corporation warrants this product to be free from defects in materials and workmanship for five (5) years from the date of purchase from TSi or its authorized representatives. TSi will repair (or at its option, replace) any defective component(s) during this warranty period.

To make a request or claim for service under this limited warranty, the original purchaser must return the product, in the original shipping container or equivalent, to TSi or its authorized distributor, accompanied by a written receipt showing the date of purchase, dealer's name, and both the model name and serial number of the product.

Warranty does not cover transportation costs. Damage by misuse, accident or unauthorized tampering of the product is not covered by the warranty. NO OTHER WARRANTIES ARE EXPRESSED OR IMPLIED. TSi IS NOT LIABLE FOR CONSEQUENTIAL DAMAGES. THIS WARRANTY GIVES YOU SPECIFIC LEGAL RIGHTS, AND YOU MAY ALSO HAVE OTHER RIGHTS WHICH VARY FROM STATE TO STATE.

## LIMITATION OF LIABILITY

IN NO EVENT SHALL TSi POWER CORPORATION OR ITS SUPPLIERS BE LIABLE FOR ANY DAMAGES WHATSOEVER (INCLUDING WITHOUT LIMITATION, DAMAGES FOR LOSS OF BUSINESS PROFITS, BUSINESS INTERRUPTION, LOSS OF BUSINESS INFORMATION, OR OTHER PECUNIARY LOSS) ARISING OUT OF THE USE OR INABILITY TO USE THIS PRODUCT, EVEN IF PSP PRODUCTS HAS BEEN ADVISED OF THE POSSIBILITY OF SUCH DAMAGES. SOME STATES DO NOT ALLOW THE LIMITATION OR EXCLUSION OF LIABILITY FOR INCIDENTAL OR CONSEQUENTIAL DAMAGES, SO THE ABOVE LIMITATIONS MAY NOT APPLY TO YOU.

## TSi Power Corporation

1103 West Pierce Avenue  
Antigo, WI 54409  
Tel: 715-623-0636  
FAX: 715-623-2426

Internet: [www.tsipower.com](http://www.tsipower.com)  
e-mail: [sales@tsipower.com](mailto:sales@tsipower.com)

# TSi Power

## ILC Series Operating Instructions

### ILC-600B & ILC-1000B



## Isolating Line Conditioner

# IMPORTANT SAFETY INSTRUCTIONS

## SAVE THESE INSTRUCTIONS

This manual contains important information for models ILC-600B and ILC-1000B that should be followed during installation and maintenance of the Line Conditioner.

Maximum Operating Ambient Temperature for the Line Conditioner is 25 degrees Celsius.

For pluggable equipment, the socket-outlet shall be installed near the equipment and shall be easily accessible.

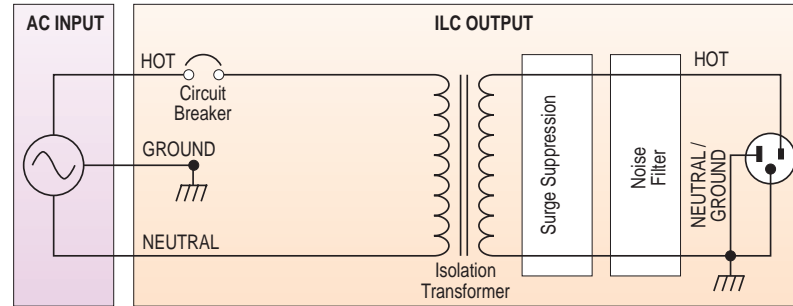
### Introduction

Your TSi Power ILC Isolating Filters with Surge Protection are designed to protect your sensitive electronic equipment from harsh commercial electrical environments. They provide true isolation, heavy-duty surge suppression and advanced interference filtering to ensure that every trace of spikes, surges, transients, interference and electrical noise that can harm your equipment is eliminated.

Designed for point-of-sale terminals, telecommunications equipment, file servers, digital copiers, computer workstations and other microprocessor based office equipment, the ILC Series will provide enhanced operation, extend operating life and reduce maintenance costs, service costs and down time.

Products in the ILC Series provide upto 5500VA of output power, and are available in a variety of voltages, ratings, and input plug and output receptacle configurations. Contact TSi Power Corporation for more information.

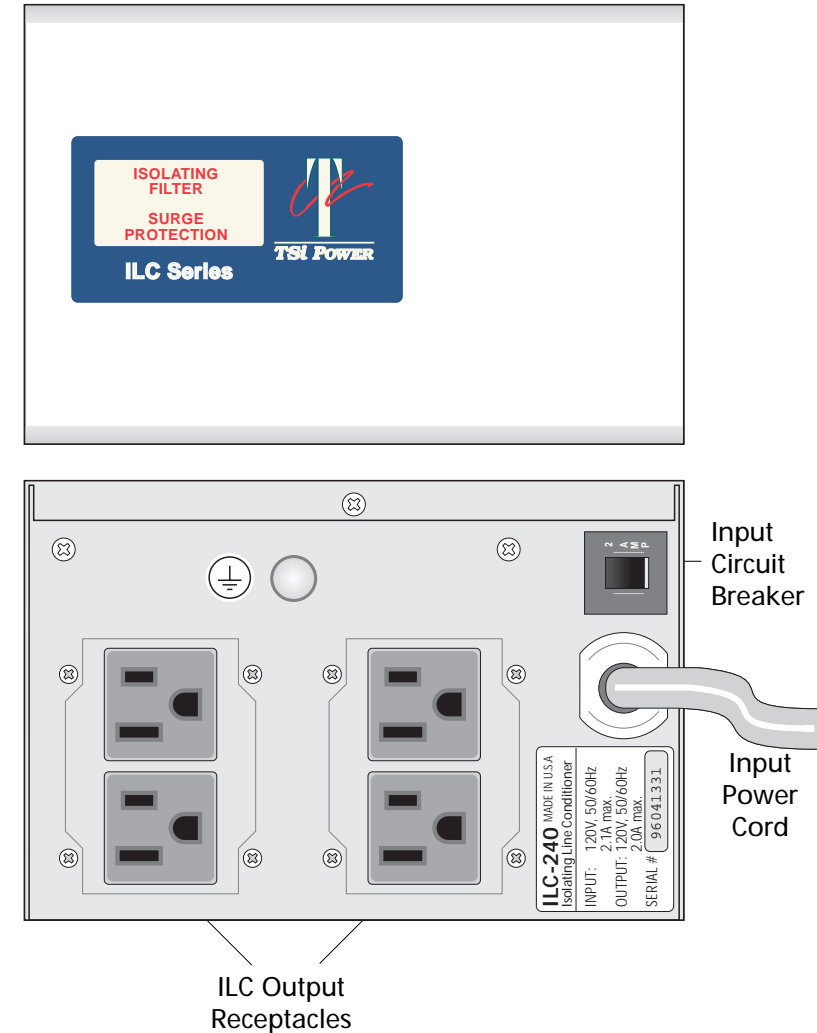
### Diagram of ILC Series' Advanced Protection



### Operating Instructions

1. Place the ILC unit near a grounded (3-pronged) 120V electrical outlet that is easily accessible. *Do not connect anything yet to the outlets on the ILC.* When you plug in the ILC's power cord into the outlet, power will be available at the outlets in the rear of the unit.
2. Plug in the equipment you want protected by the ILC into the AC outlets in the rear of the ILC. Make sure that your equipment is initially turned off, and that you don't exceed the maximum power rating of your ILC model.
3. Turn on your equipment one at a time. If you have exceeded the maximum power rating of your ILC, the rear circuit breaker will open after a short period of time. In such a case, reduce the load to your ILC and reset the circuit breaker. *Note: It may take about 30 seconds for the thermal circuit breaker to cool and become resettable.*
4. To turn off the ILC, unplug the ILC from the AC outlet.

### Front & Rear Panel



### Note

Some models may be equipped with only 2 output receptacles instead of 4 as shown above or may be equipped with 5-15R duplex receptacles.

### Caution

Be sure to only plug in the ILC into a properly grounded (3-pronged), 120V electrical outlet. Use of an ungrounded outlet will not fully utilize the protection built into the ILC, and may risk electrical shock.