

ATS

ATS Model

1000-200x

15 A
1800 VA
120 V

1000-400x

20 A
2400 VA
120 V

1000-600x

30 A
3600 VA
120 V

Two AC inputs - one AC output

Automatic transfer switch

Automatic transfer switches

The ATS-1000 series of automatic transfer switches is designed for applications where two or more autonomous power sources are available. The ATS can be utilized as single or multiple units for different levels of redundancy.

Typical ATS applications

Applications include but are not limited to telecom, computers, data centers, industrial control, automatic test equipment, oil exploration and utilities.

How the ATS works

The ATS works with asynchronous or out-of-phase power sources which allows them to be used with a number of different sources. Customers with special requirements can be offered custom programming to address special use situations.

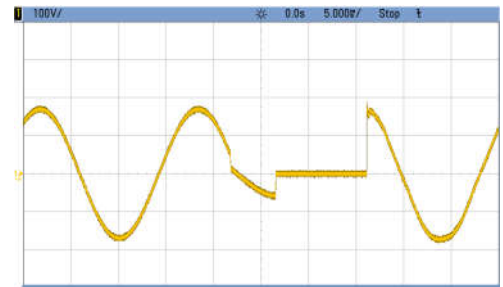
The ATS is fed by two AC power sources. When the primary power source detector circuit senses a loss of power on that circuit, it immediately switches the load over to the backup power source in under one cycle. This is



Front view showing enable/disable audible alarm switch and LED status indicators



Rear view of Model -2002 with two 5-15P Plugs and eight 5-15R Receptacles



Typical transfer between primary and backup power

fast enough to be invisible to even the most sensitive equipment.

Features and Benefits

- Accepts inputs from asynchronous sources and can be used with most supply voltages, including out-of-phase.
- Transfer time of under one cycle between sources which is fast enough for even the most sensitive loads.
- Audible alarm with enable/ disable switch provides for unattended security.
- LED status indicators for quick visual displays of fault conditions.
- Higher than 99% efficiency means substantial energy savings (when the ATS is used as a battery-less UPS).
- Remote monitoring & enable function (unit ON/OFF) is provided through a DB9 port.
- AC Inputs are galvanically isolated.
- 70-90% reduction in both CAP-EX and OP-EX (when the ATS is used as a battery-less UPS).
- Built-in primary and backup 'flat-on' rocker style circuit breakers are highly visible and easily accessible on rear of unit.
- The ATS allows redundant AC power to mission-critical equipment using any combination of UPS, backup generator or other available autonomous AC power sources.
- Sturdy steel enclosure can be rack, wall or floor mounted with optional mounting Brackets.
- RCD (Residual Current Device) compatible.



TSi POWER

1103 W Pierce Avenue
Antigo, WI 54409 USA
Tel: + 1-715-623-0636
Fax: + 1-715-623-2426
Toll-Free: 1-800-874-3160
email: sales@tsipower.com
Web: www.tsipower.com

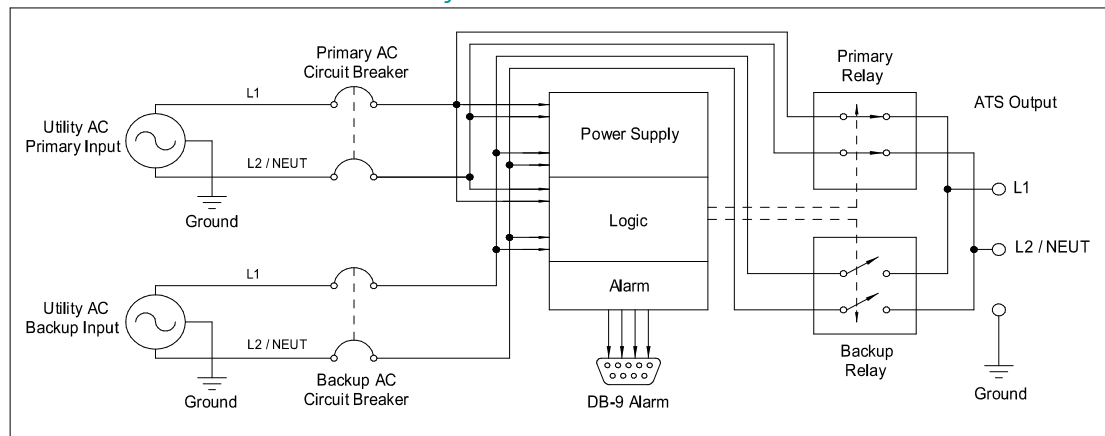
Specifications

ATS - 1000 - Plugs & Receptacles, 120 V - 15, 20, 30 A

SPECIFICATION	ATS-1000-200X	ATS-1000-400X	ATS-1000-600X
ELECTRICAL			
VA at 120 V:	1800	2400	3600
Current rating	15 A	20 A	30 A
Switching technology	Mechanical relays		
INPUT			
Voltage range	120 V; 92 -132 V \pm 2.5 % nominal		
Frequency range	47 to 67 Hz, Caution: Both sources must use same nominal frequency		
Transfer time	Under one cycle		
Plug models: -2002 / -2003 / -2004 Plug models: -4002 / -4003 / -40 04 Plug models: -6002 / -6003 Plug models: -xxxx	5-15P / L5-15P / IEC 60320 C14 5-20P / L5-20P / IEC 60320 C20 5-30P / L5-30P Other configurations available		
OUTPUT			
Voltage / Current	120 V / 15 / 20 / 30 A		
Load regulation	1 % from no load to full load		
Power efficiency	99 % or higher		
Receptacle models: -2002 / -2003 / -2004 Receptacle models: -4002 / -4003 / -4004 Receptacle models: -6002 / -6003 Receptacle models: -xxxx	5-15R / L5-15R / IEC 60320 C13 5-20R / L5-20R / IEC 60320 C19 5-30R / L5-30R Other configurations available		
LED indicators: Green / Yellow / Red	Primary output / Backup output / No primary or backup AC		
Audible alarm	Buzzer beeps when loss of primary or backup AC occurs		
Audible alarm on / off	Enable / Disable switch		
Alarm contacts	Rear-mounted DB-9 connector sends loss of primary / backup AC		
PHYSICAL			
Dimensions: Inches / mm	W: 16" / 406 mm H: 3.25" / 83 mm D: 12" / 305 mm		
Weight: lbs / kg	12 lbs / 5.45 kg		
Front mount kit for rack: 19" / 23" / 24" / 482.6 / 584.2 / 609.6 mm Center mount kit for rack: 19" / 23" / 24" / 482.6 / 584.2 / 609.6 mm Wall or floor mount kit	MK-5019A / MK-5023A / MK-5024A MK-5019F / MK-5023F / MK-5024F MK-5000C		
ENVIRONMENTAL			
Ambient temperature	32° to 104° F / 0° to 40° C		
AGENCY			
Safety	UL 60950-1 Issue: 2007/03/27 Ed:2 UL Standard for Safety Information Technology Equipment - Safety - Part 1: General Requirements - CSA C22.2#60950-1 Issued: 2007/03/01 Ed:2 Information Technology Equipment Safety Part 1: General Requirements		
WARRANTY			
Warranty	Two year limited warranty covers parts and labor		

TSi Power's ongoing product improvement process makes specifications subject to change. Other companies product names herein are for identification purposes only and may be trademarks of their respective companies.

ATS system architecture



Copyright © 2018 TSi Power Corp.

SP80004 - May, 2018



TSi POWER

1103 W Pierce Avenue

Antigo, WI 54409 USA

Tel: + 1-715-623-0636

Fax: + 1-715-623-2426

Toll-Free: 1-800-874-3160

email: sales@tsipower.com

Web: www.tsipower.com