

1 ATS

ATS model

500-3800

15 A
208 V

500-5800

20 A
208 V

500-7800

30 A
208 V

500-9800

40 A
208 V

500-3000

15 A
220, 240 V

500-5000

20 A
220, 240 V

500-7000

30 A
220, 240 V

500-9000

40 A
220, 240 V

TWO AC INPUTS - ONE AC OUTPUT / AUTOMATIC TRANSFER SWITCH

Automatic transfer switches

The ATS-500 automatic transfer switch is designed for multiple autonomous power sources. The ATS can be utilized as single or multiple units for different levels of redundancy.



Front view showing enable/disable audible alarm switch and LED status indicators

Typical ATS applications

Applications include but are not limited to telecom, data centers, industrial control, automatic test equipment, oil & gas and utilities.

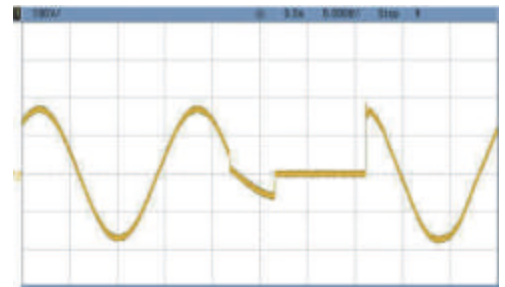


Rear view showing compartment covers, DB-9 connector, primary and backup circuit breakers

How the ATS works

The ATS works with asynchronous or out-of-phase power sources. Customers with special requirements can request custom programming to address special use situations.

The ATS is fed by two AC power sources. When the primary power source loses power, the ATS switches the load to the backup power source in under one cycle. This is fast enough to be invisible to even the most sensitive equipment.



Typical transfer between primary and backup power

Features and Benefits

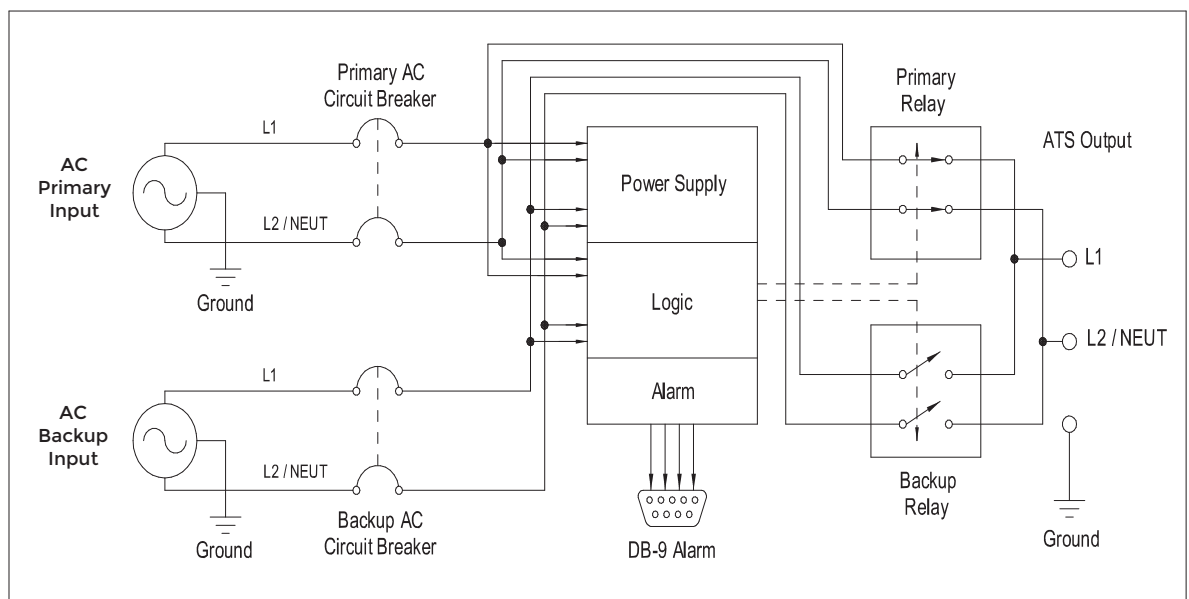
- Accepts asynchronous inputs from most supply voltages, including out-of-phase.
- Transfer time of under one cycle - fast enough for even the most sensitive loads.
- Audible alarm with enable/ disable switch for unattended security.
- LED indicators for visual display of fault conditions.
- Greater than 99% efficiency for substantial energy savings when used as batteryless UPS.
- Remote monitoring via DB9 port.
- Galvanically isolated AC inputs.
- 70-90% reduction in CAPEX and OPEX when used as a batteryless UPS.
- Integral primary and backup rocker circuit breakers are readily visible and easily accessible at the rear.
- Allows redundant AC power to mission-critical equipment with any combination of UPS, generator, or other autonomous AC power sources.
- Rugged steel enclosure can be wall or floor mounted with optional mounting brackets.
- Only hard-wired automatic transfer switch on the market.



TSI
POWER

1103 W Pierce Avenue
Antigo, WI 54409 USA
Tel: + 1-800-874-3160
Fax: + 1-715-623-2426
sales@tsipower.com
www.tsipower.com

SPECIFICATION	ATS-500-3800	ATS-500-5800	ATS-500-7800	ATS-500-9800	ATS-500-3000	ATS-500-5000	ATS-500-7000	ATS-500-9000
ELECTRICAL								
VA at 208 V	3120	4160	6240	8320				
VA at 220 V					3300	4400	6600	8800
VA at 240 V						3600	7200	9600
Current rating	15 A	20 A	30 A	40 A	15 A	20 A	30 A	40 A
Switching technology	Mechanical relays							
INPUT								
Voltage range: 208 V	166 - 239 V \pm 2.5 % nominal							
Voltage range: 220 V or 240 V					184 - 264 V \pm 2.5 % nominal			
Frequency range	47 to 63 Hz, Caution: Both sources must use same nominal frequency							
Transfer time	Under one cycle							
AC input connections	Hardwire terminals							
OUTPUT								
Voltage / Current	208 V / 15, 20, 30 or 40 A				220 or 240 V / 15, 20, 30 or 40 A			
Load regulation	1 % from no load to full load							
Power efficiency	99 % or higher							
AC distribution	Hardwire terminals							
LED indicators:	Green: Primary output, Yellow: Backup output, Red: Primary or backup AC is out of tolerance							
Audible alarm	Buzzer beeps when loss of primary or backup AC occurs							
Audible alarm on / off	Enable / Disable switch							
Alarm contacts	Rear-mounted DB-9 connector sends loss of primary / backup AC							
PHYSICAL								
Dimensions: Inches / mm	W: 11.25" / 286 mm H: 3" / 76 mm D: 11.5" / 292 mm							
Weight: lbs / kg	8 lbs / 3.63 kg							
Wall or floor mount kit	MK-4000C							
ENVIRONMENTAL								
Ambient temperature	32° to 104° F (0° to 40° C)							
AGENCY APPROVALS								
Safety	UL 60950-1 Issue: 2007/03/27 Ed:2 UL Standard for Safety Information Technology Equipment - Safety - Part 1: General Requirements - CSA C22.2#60950-1 Issued: 2007/03/01 Ed:2 Information Technology Equipment Safety Part 1: General Requirements							
WARRANTY								
Warranty	Two year limited warranty covers parts and labor							



ATS System Architecture

TSI POWER's ongoing product improvement process makes specifications subject to change. Other companies product names herein are for identification purposes only and may be trademarks of their respective companies

