

TWO AC INPUTS - ONE AC OUTPUT / AUTOMATIC TRANSFER SWITCH

ATS

ATS Model
800-380x
15 A 208 V
800-580x
20 A 208 V
800-300x
15 A 220, 240 V
800-500x
20 A 220, 240 V

Automatic transfer switches

The ATS-800 automatic transfer switch is designed for multiple autonomous power sources. The ATS can be utilized as single or multiple units for different levels of redundancy.



Front view showing enable/disable audible alarm switch and LED status

Typical ATS applications

Applications include but are not limited to telecom, data centers, industrial control, automatic test equipment, oil & gas and utilities.

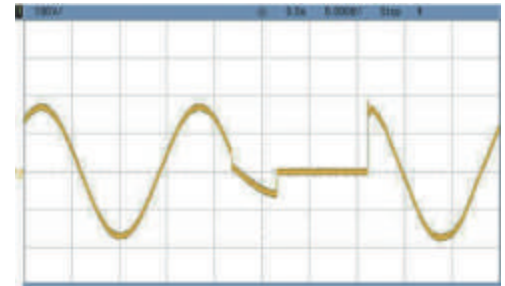


Rear view showing IEC plugs & receptacles, DB-9 connector, primary and backup circuit

How the ATS works

The ATS works with asynchronous or out-of-phase power sources. Customers with special requirements can request custom programming to address special use situations.

The ATS is fed by two AC power sources. When the primary power source loses power, the ATS switches the load to the backup power source in under one cycle. This is fast enough to be invisible to even the most sensitive equipment.



Typical transfer between primary and backup power



Intertek



**TSI
POWER**

1103 W Pierce Avenue
Antigo, WI 54409 USA
Tel: +1-800-874-3160
Fax: +1-715-623-2426
sales@tsipower.com
www.tsipower.com

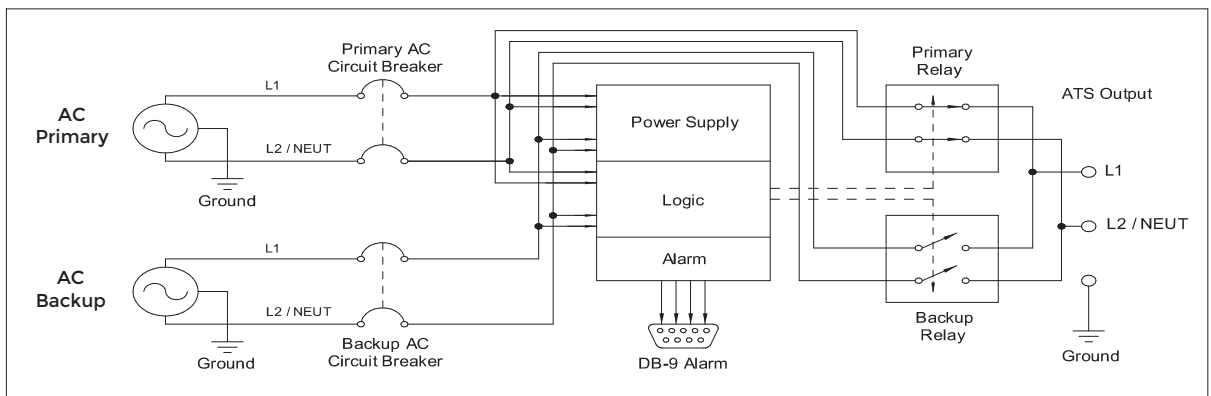
Features and Benefits

- Accepts asynchronous inputs from most supply voltages, including out-of-phase.
- Transfer time of under one cycle - fast enough for even the most sensitive loads.
- Audible alarm with enable/ disable switch for unattended security.
- LED indicators for visual display of fault conditions.
- Greater than 99% efficiency for substantial energy savings when used as batteryless UPS.
- Remote monitoring via DB9 port.
- Galvanically isolated AC inputs.
- 70-90% reduction in CAPEX and OPEX when used as a batteryless UPS.
- Integral primary and backup rocker circuit breakers are readily visible and easily accessible at the rear.
- Allows redundant AC power to mission-critical equipment with any combination of UPS, generator, or other autonomous AC power sources.
- Rugged steel enclosure can be rack, wall or floor mounted with optional

SPECIFICATION	ATS-800-380x	ATS-800-580x	ATS-800-300x	ATS-800-500x
ELECTRICAL				
VA at 208 V	3120	4160		
VA at 220 V			3300	4400
VA at 240 V			3600	4800
Circuit breaker	15 A	20 A	15 A	20 A
Switching technology	Mechanical relays			
INPUT				
Voltage / Current	208 V / 15, 20 A ± 2.5 % nominal		220 V / 240 V / 15, 20 A ± 2.5 % nominal	
Voltage range: 208 V	166 - 239 V			
Voltage range: 220 V or 240 V			184 - 264 V	
Frequency range	47 to 63 Hz, Caution: Both sources must use same nominal frequency			
Transfer time	Under one cycle			
Plug models: -3x02 / -3x03 / -3x04 Plug models: -5x02 / -5x04 Plug models: -xxxx	6-15P / L6-15P / IEC 60320 C14 6-20P / IEC 60320 C20 Other configurations available			
OUTPUT				
Voltage / Current	208 V / 15, 20 A		220 V / 240 V / 15, 20 A	
Load regulation	1 % from no load to full load			
Power efficiency	99 % or higher			
Receptacle models: -3x02 / -3x03 / -3x04 Receptacle models: -5x02 / -5x04 Receptacle models: -xxxx	6-15R / L6-15R / IEC 60320 C13 6-20R / IEC 60320 C19 Other configurations available			
LED indicators:	Green: Primary output, Yellow: Backup output, Red: primary or backup AC is out of tolerance			
Audible alarm	Buzzer beeps when loss of primary or backup AC occurs			
Audible alarm on / off	Enable / Disable switch			
Alarm contacts	Rear-mounted DB-9 connector sends loss of primary / backup AC			
PHYSICAL				
Dimensions: Inches / mm	W: 16.63" (422 mm) H: 1.7" (43 mm) D: 9" (229 mm)			
Weight: lbs / kg	8 lbs / 3.63 kg			
Integral 19" / 482.6 mm Front Rack-Mount	Standard			
ENVIRONMENTAL				
Ambient temperature	32° to 104° F / 0° to 40° C			
AGENCY APPROVALS				
Safety	UL 60950-1 Issue: 2007/03/27 Ed:2 UL Standard for Safety Information Technology Equipment - Safety - Part 1: General Requirements - CSA C22.2#60950-1 Issued: 2007/03/01 Ed:2 Information Technology Equipment Safety Part 1: General Requirements			
WARRANTY				
Warranty	Two year limited warranty covers parts and labor			



1103 W Pierce Avenue
Antigo, WI 54409 USA
Tel: +1-800-874-3160
Fax: +1-715-623-2426
sales@tsipower.com
www.tsipower.com



ATS System Architecture

TSI POWER's ongoing product improvement process makes specifications subject to change. Other companies product names herein are for identification purposes only and may be Trademarks of their respective companies.

SP80046 - May, 2019