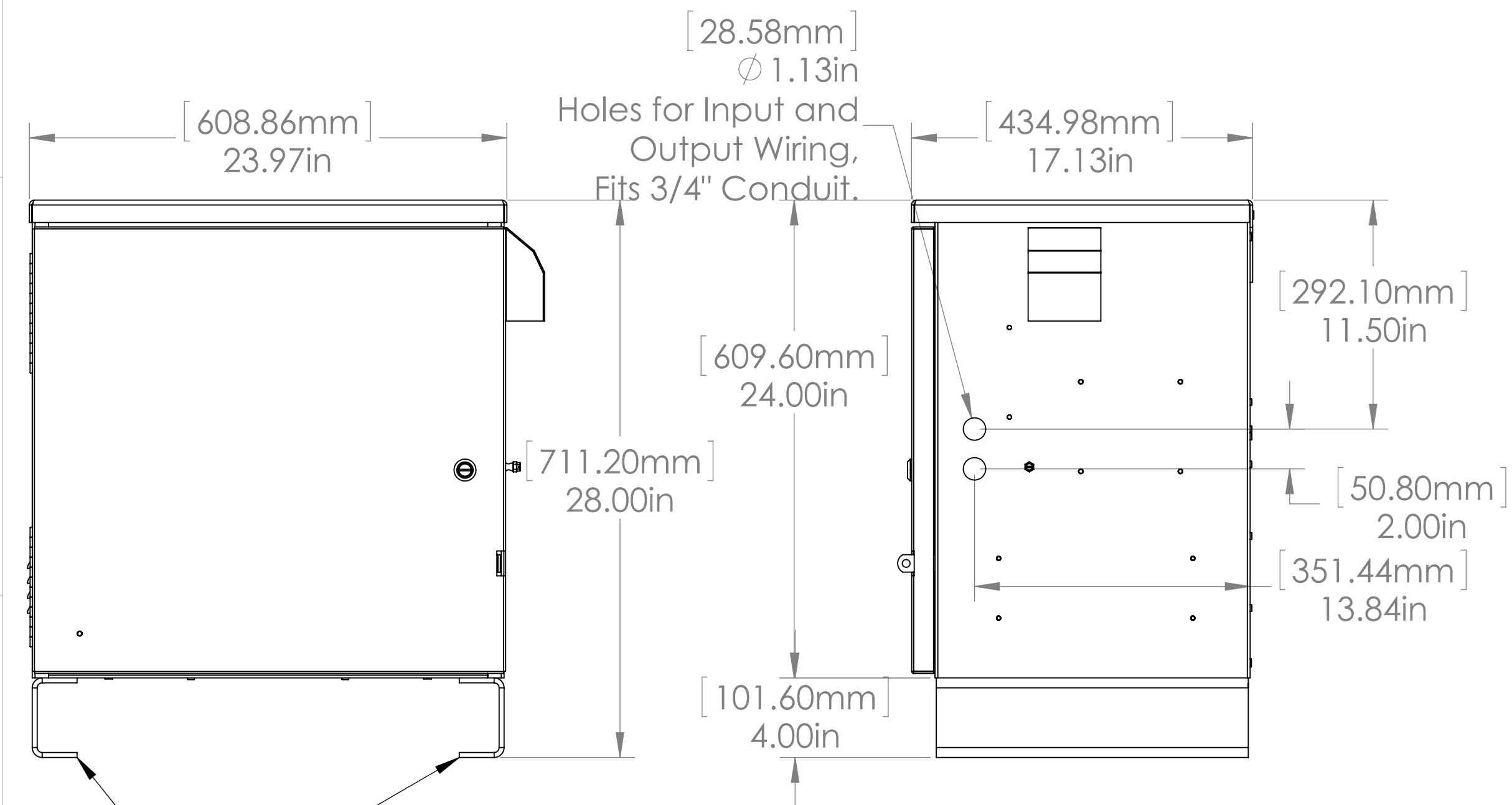
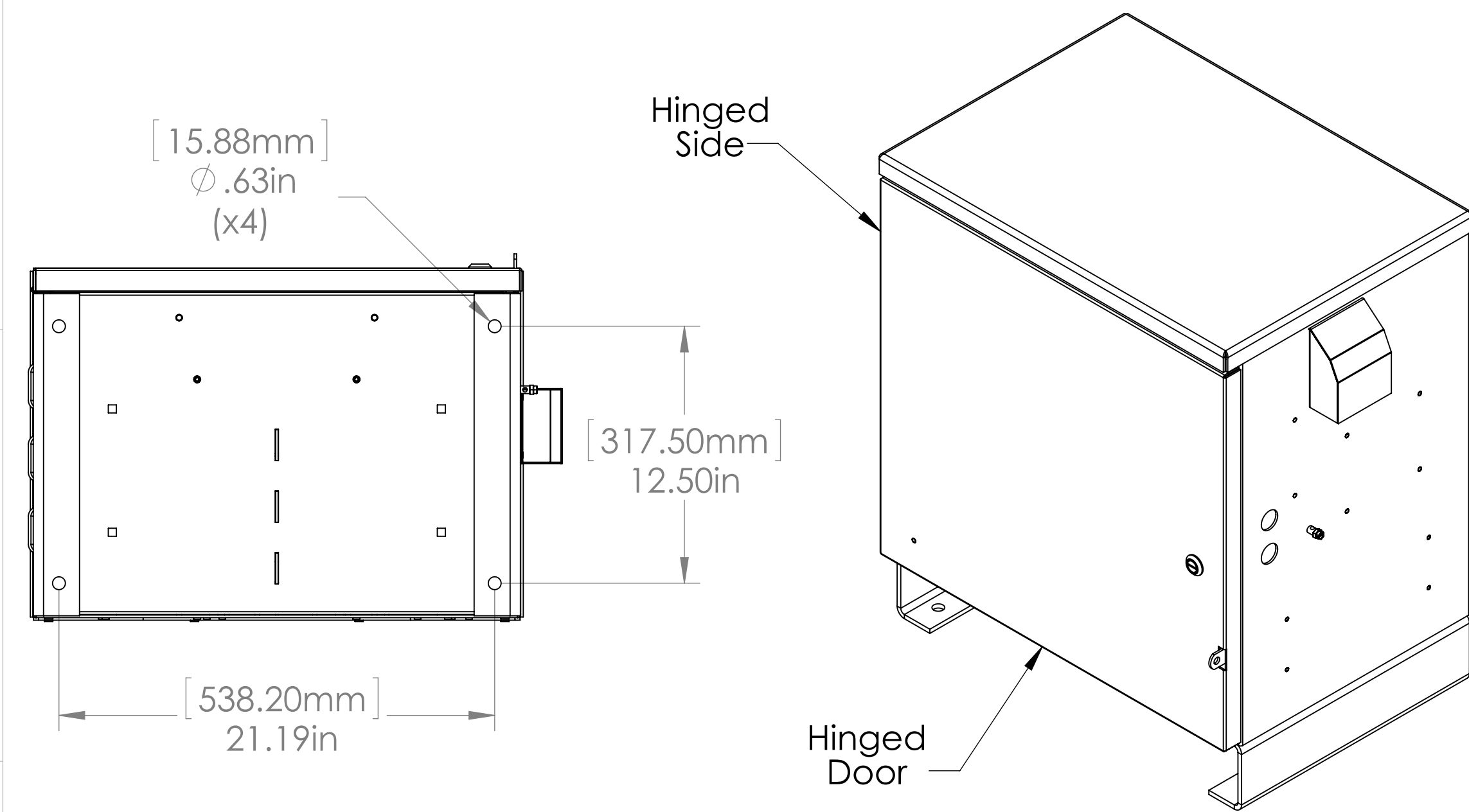


Pad-Mount Option [PAD2]



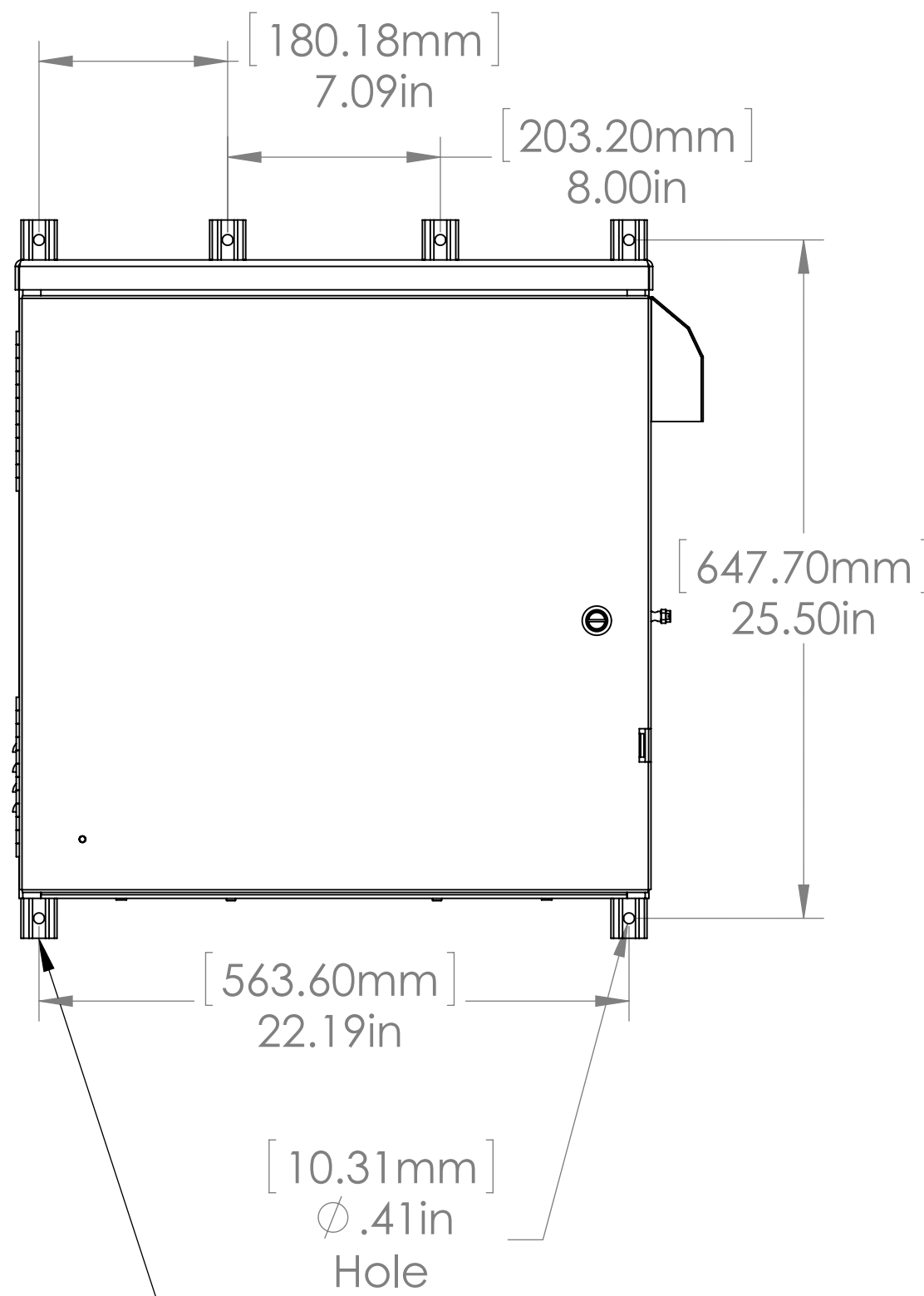
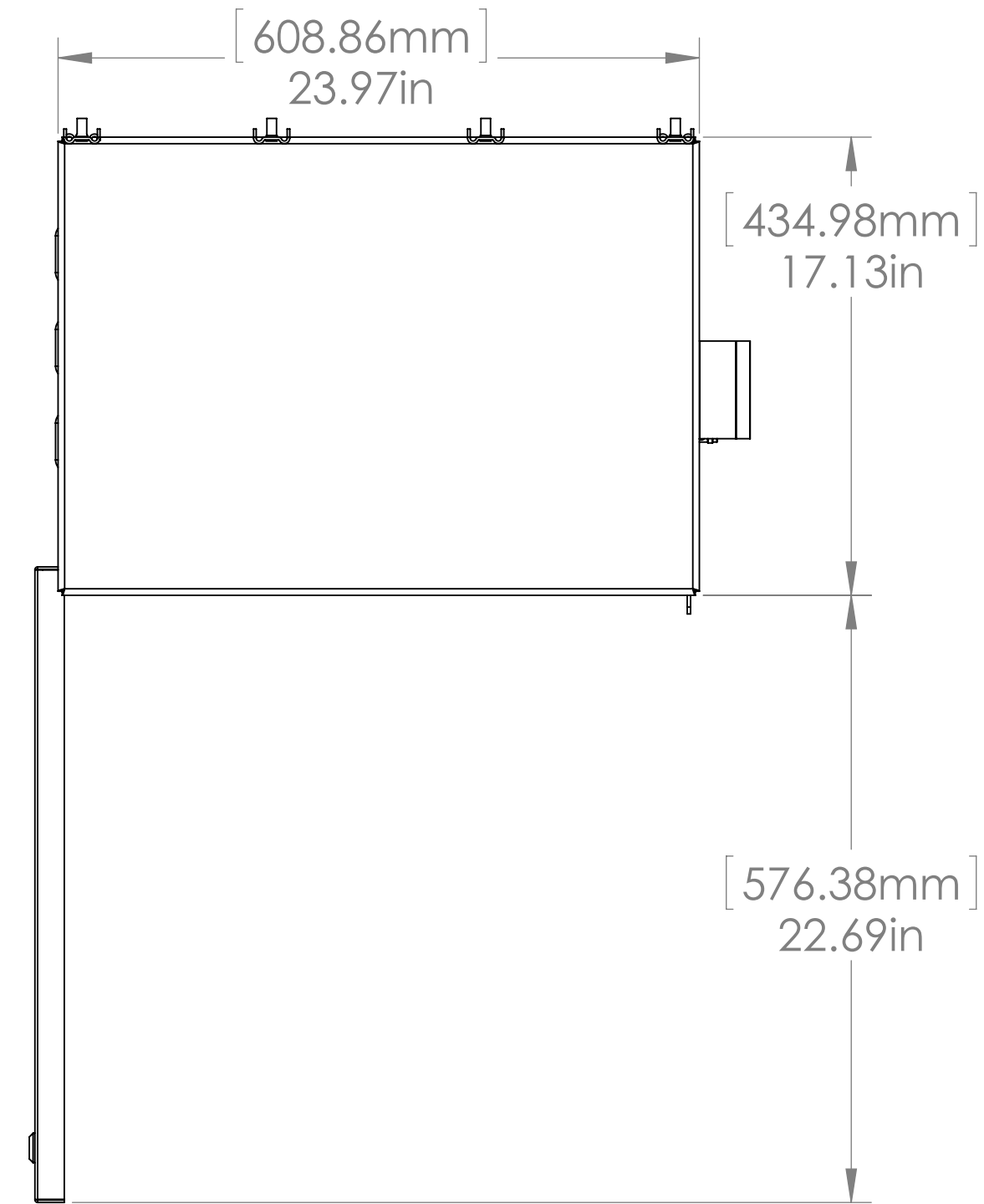
Pad-Mount Brackets
-Come Attached When Pad-Mount Option Is Ordered



Hinged Door

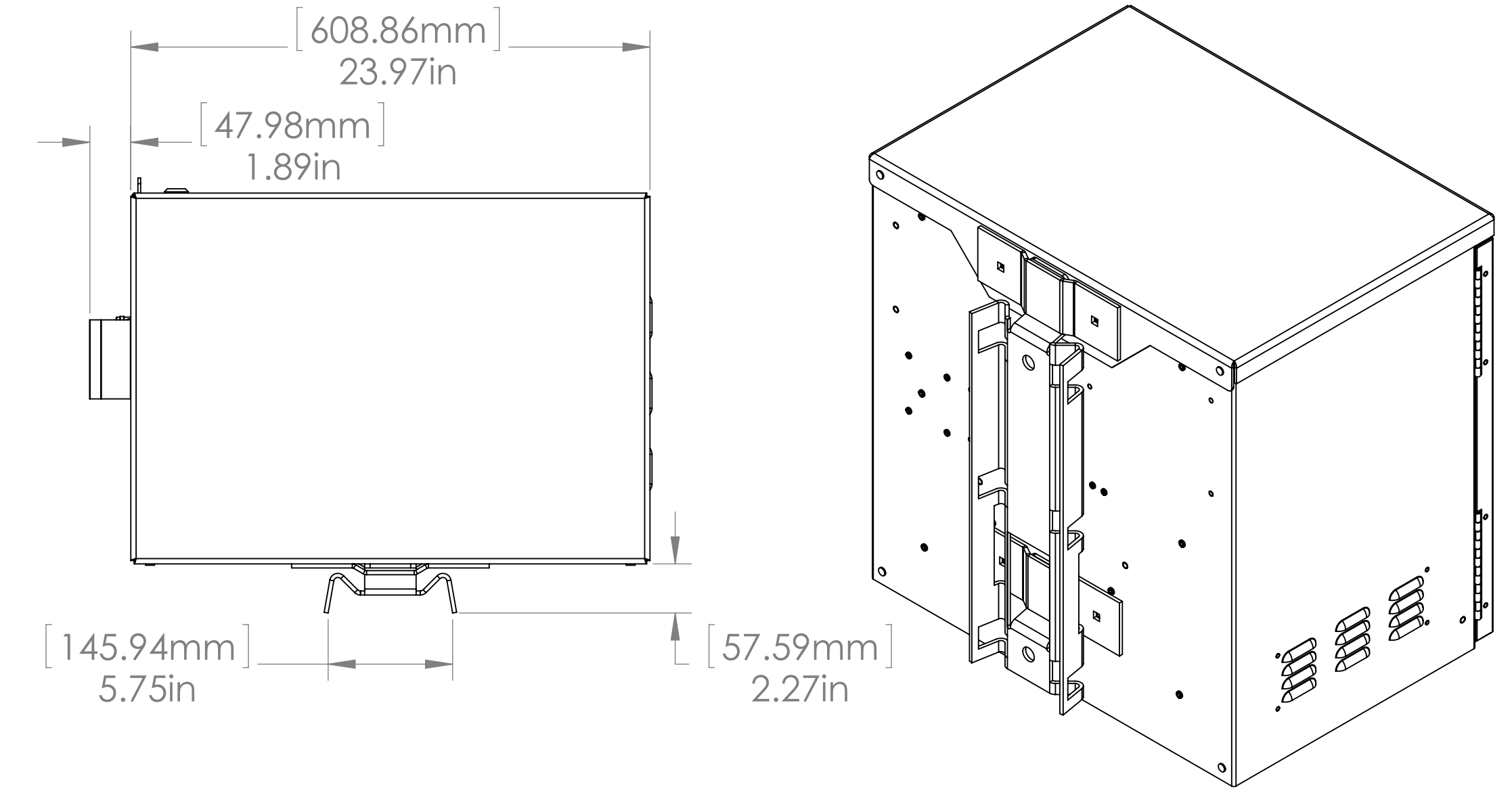
Hinged Side

Wall-Mount Option (Standard) [WM2]

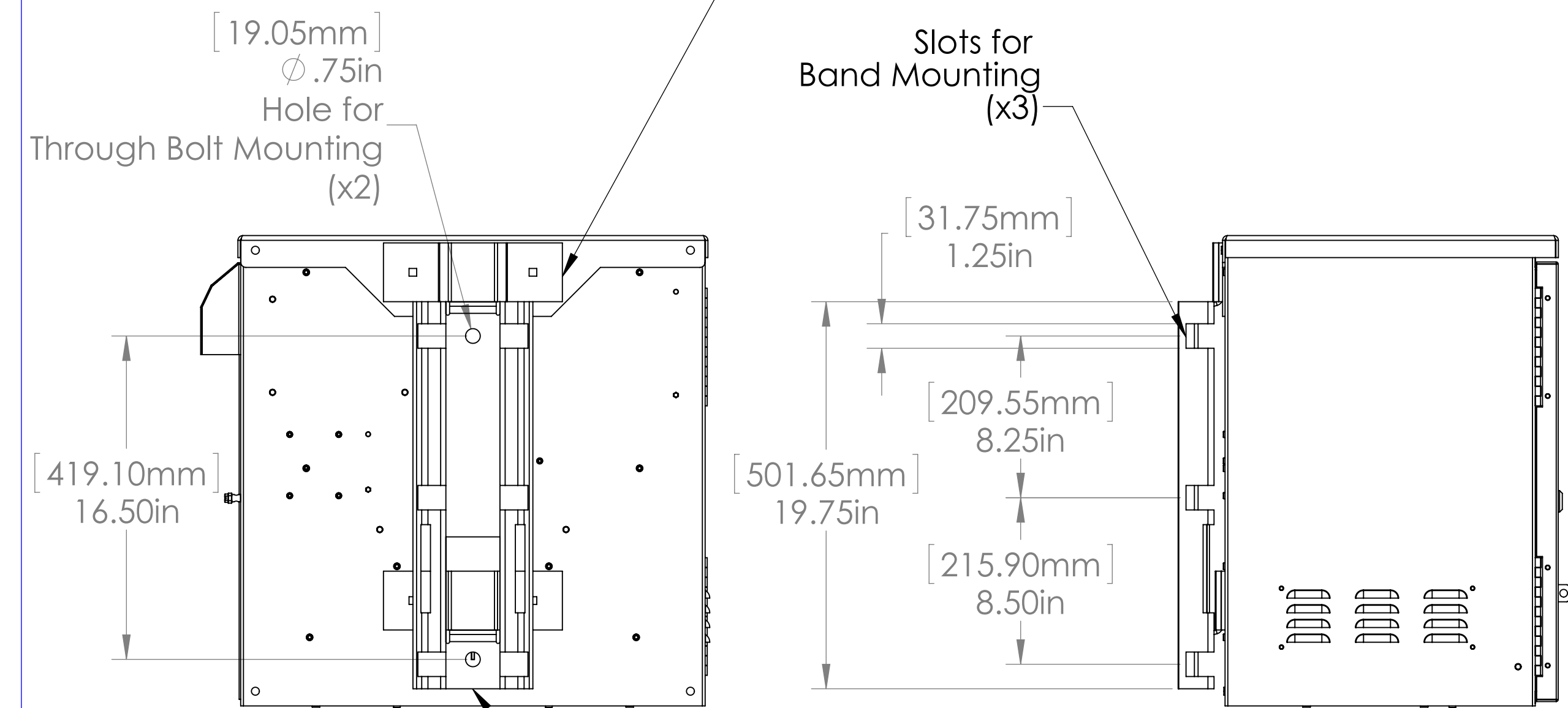


6 Wall-Mounting Ears
-Come Attached When Standard Unit Is Ordered

Pole-Mount Option [PM1]



Cabinet Bracket for Pole-Mounting
-Comes Attached When Pole-Mount Option Is Ordered



Pole-Mount Bracket
-Comes Separate When Pole-Mount Option Is Ordered.
(Attachment to unit after bracket is attached to the pole)

Note:
These dimensional drawings include but are not limited to the following TSi Power Products:
-Outdoor XUPS-1200B-0780
-Outdoor XUPS-1500
-Outdoor XUPS-2200
-Outdoor XUPS-3000
-Outdoor XUPS-XXXX-0760

PROPRIETARY AND CONFIDENTIAL		NAME	DATE	TSi POWER CORPORATION
THE INFORMATION CONTAINED IN THIS DRAWING IS THE SOLE PROPERTY OF <INSERT COMPANY NAME HERE>. ANY REPRODUCTION IN PART OR AS A WHOLE WITHOUT THE WRITTEN PERMISSION OF <INSERT COMPANY NAME HERE> IS PROHIBITED.		LANCE BARSKE	2/17/2016	
COMMENTS:		DIMENSIONS ARE IN MILLIMETERS AND INCHES		TITLE:
SIZE	REV.	6		24" x 24" x 16" Cabinet Mounting Options / Dimensions
SCALE: 1:6		SHEET 1 OF 1		