



Ferroresonant transformer | Voltage regulation | UL/cUL listed

FLc model
750
6.3 amperes 750 VA 750 watts 120 volts
1000
8.3 amperes 1000 VA 1000 watts 120 volts
1500
12.5 amperes 1500 VA 1500 watts 120 volts

Ferroresonant constant voltage output isolation transformer line conditioner

To provide isolated constant output voltage and stable power, even when the incoming ac mains or generator set voltage is extremely low or high.

Typical applications

FLc Series line conditioners are suitable where you want the ultimate in industrial-strength ac line protection for computers, point-of-sale terminals, copiers, data acquisition and control systems, as well as other data processing equipment.

The FLc Series is recommended for use with a stable load and input frequency, and where audible noise and heat are of less concern.

Key benefits

The FLc Series constant voltage regulated output protects switch-mode power supplies from failure caused by unstable ac mains. FLc provides a combination of isolation and constant output voltage transformer technology, which makes it an ideal device to replace a dedicated circuit when cost of installing same is prohibitive.

Highest grade ac power can be obtained even when the mains contain high noise and/or harmonics. FLc provides three stage surge protection and significant reduction of surge voltage dV/dt rise times. The FLc internal transformer draws only sinewave current, which helps to reduce harmonics in supplied loads.

The FLc line conditioner can be used between a UPS and the ac mains to provide greater protection for the connected equipment, while saving the UPS's internal batteries for true black-outs.

How the FLc Series works

FLc incorporates a constant voltage output ferroresonant isolation transformer, which provides 100% isolation from the input ac line. The secondary neutral is bonded to ground thus eliminating all surge voltages between neutral and ground.

Surge protection is further enhanced due to the built-in low-pass filter, which reduces fast-rise transients from 6kV/μs to less than 10V/μs.



Key features of the TSi Power ferroresonant line conditioner

- Constant output voltage guaranteed
- Ferroresonant isolation transformer with neutral-to-ground bond.
- Coordinated surge protection per IEC61312.3
- Advanced noise and interference filter reduces dV/dt from 6kV/μs to less than 10V/μs
- Front panel power switch
- Replaces dedicated ac circuit
- Reduces harmonics from non-linear loads
- The best surge protection available
- Five year warranty

Power with a precision attitude™



TSi Power Corporation
 1103 West Pierce Ave
 Antigo, WI 54409 USA
 800 874 3160 (USA only)
 Phone +1 715 623 0636
 Fax +1 715 623 2426
 sales@tsipower.com
 www.tsipower.com
 Copyright © 2008 TSi



Ferroresonant
line
conditioner

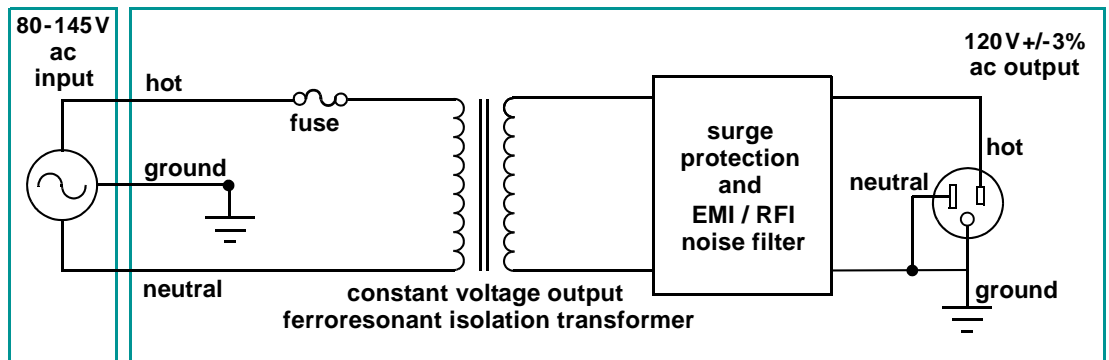


rear view
FLc-1500

Specification	FLc-750	FLc-1000	FLc-1500
Electrical			
Capacity in VA (watts)	750 VA (750W)	1000VA (1000W)	1500VA (1500W)
Transformer type	Constant voltage output ferroresonant isolation transformer.		
Input			
Nominal voltage	120 volts ac		
Operating voltage	80 – 145 volts ac		
Nominal frequency	60Hz		
Ac 6 ft. input cord with	NEMA 5-15R plug	NEMA 5-15R plug	NEMA 5-20R plug
Output			
Ac output voltage	120 volts ac +/-3%		
Waveform	Output wave form: sine wave, regardless of input for 60Hz +/-3%		
Noise filtering	Low-pass filter reduces noise over a wide frequency range. The measured rate of voltage rise/fall (dV/dt of the remnant waveform is less than 200V/μs with input test waveform dV/dt of 6kV/μs.		
Surge protection	Three-way surge protection system.		
Surge test conditions	Per ANSI/IEEE C62.41-1991 test pulse, Category B3, Combination Wave, 6000V, 3000A. Test pulse injection: Line-neutral, line-ground, and neutral-ground.		
Surge let-through voltages	Remnant voltage: L-N: 5V, L-G: 5V, N-G: 0.5V.		
Power efficiency	90% or higher for full load conditions. 80% typical for half load conditions.		
Power on/off switch	Master on/off rocker power switch control.		
Ac output receptacles	Six (NEMA 5-15R). Optional terminal blocks for OEMs.		
Physical			
Dimensions	235mm(9.25") wide x 165mm(6.5") high x 330mm (13.0") deep		
Weight	25 kg(55 lbs)	27.2 kg(60 lbs)	27.2 kg(60 lbs)
Safety			
Agency approvals	UL and cUL 1950 Listed		
Environmental			
Ambient temperature	0° to 40°C (32° to 104°F). 10 to 90% relative humidity(non-condensing).		
Warranty			
Warranty	Five year limited warranty, parts and labor.		

TSi's ongoing product improvement process makes specifications subject to change. Other companies product names herein are for identification purposes only, and may be trademarks of their respective companies.

FLc Series system architecture



TSi Power Corporation
1103 West Pierce Ave
Antigo, WI 54409 USA
800 874 3160 (USA only)
Phone +1 715 623 0636
Fax +1 715 623 2426
sales@tsipower.com
www.tsipower.com
Copyright © 2008 TSi