

SLc-B

Auto-transformer

automatic voltage regulator

wide input range

SLc model

1100B

9 amperes
1100 VA
1100 watts
120 volts

2000B

16 amperes
2000 VA
2000 watts
120 volts

Four stage auto-transformer voltage regulator line conditioner

This automatic voltage regulator provides stable power even when the ac mains or back-up generator voltage is extremely low or high.

Typical applications

SLc-B Series conditioners provide low-cost ac line protection for copiers, digital printers, fax, data acquisition and control systems, as well as other data processing equipment.

SLc-B's can also be used to protect low-cost stand-by UPS to prevent discharge of UPS batteries due to low- or high-voltage transfer to inverter.

Key SLc-B benefits

TSi Power's SLc-B Series regulated output protects switch-mode power supplies from failure caused by unstable ac mains. SLc-B provides three-way surge protection and reduction of surge voltage.

The SLc-B line conditioner can be used between a UPS and the ac mains to provide even greater protection for the connected equipment, while saving the UPS's internal batteries for true black-outs.

How The SLc-B Series works

The SLc-B Series incorporates a four-winding auto-transformer, which provides four levels of line regulation: two boost-stage and one buck-stage. Even when the input voltage varies between 80 to 150V, the output is regulated to within 104 and 126V, well within the range of most equipment.

A rocker style power switch/circuit breaker turns the unit on and supplies power to the equipment.



Key SLc-B Series features

- Four stages of regulated output voltages
- Wide input voltage range
- Three-stage surge protection
- Quiet operation
- Four NEMA 5-15R outlet receptacles
- Front panel power switch
- High efficiency
- Low cost
- Five year warranty



TSi Power Corporation
1103 West Pierce Ave
Antigo, WI 54409 USA
800 874 3160 (USA only)
Phone +1 715 623 0636
Fax +1 715 623 2426
sales@tsipower.com
www.tsipower.com
Copyright © 2008 TSi

SLc-B

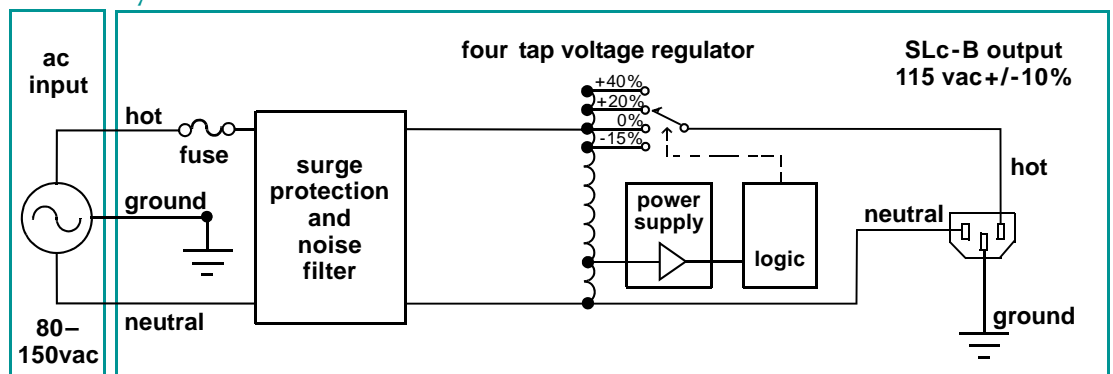


Four stage 120V auto-transformer voltage regulator

Specification	SLc-1100B	SLc-2000B
Electrical		
Capacity in VA (Watts)	1100VA (1100W)	2000VA (2000W)
Transformer type	Four winding auto-transformer.	
Input		
Nominal voltage	120 volts ac +/- 33%	
Operating voltage	80–150 volts ac	
Nominal frequency	50/60 Hz (47–63Hz)	
Ac input	6 foot cord with NEMA 5-15P plug	6 foot cord with NEMA 5-20P plug
Maximum input current	9 amperes @ 120vac	16 amperes @ 120vac
Output		
Ac output voltage	115 volts +/- 10% ac (104–126 vac)	
Maximum output	9 amperes	16 amperes
Surge protection	Three-stage surge protection system.	
Power efficiency	97% or higher under all conditions.	
Power on/off switch	On/off rocker power switch.	
Response time	Transfers to new stage within 20 cycles of new ac input voltage.	
Transfer time	Less than 4 ms between stages.	
Hysteresis	6V minimum. Prevents unnecessary switch-overs due to momentary ac sags and brownouts.	
Ac output receptacles	Four standard NEMA 5-15R	
Audible noise	Less than 45 dBA (at 1 meter)	
Physical		
Dimensions	152mm(6") wide x 127mm(5.0") high x 229mm(9") deep	
Weight	8.2kgs(18 lbs)	9kgs(20 lbs)
Safety		
Safety standards	Designed to meet UL, cUL and IEC standards.	
Environmental		
Ambient temperature	0° to 40°C (32° to 104°F). 10 to 90% relative humidity (non-condensing).	
Warranty		
Warranty	Five year limited warranty. (Replacement boards will be provided free of charge upon failure ~ board is the only part that can fail and can be easily replaced by the user).	

TSi's ongoing product improvement process makes specifications subject to change. Other companies product names herein are for identification purposes only, and may be trademarks of their respective companies.

SLc-B system architecture



TSi Power Corporation
1103 West Pierce Ave
Antigo, WI 54409 USA
800 874 3160 (USA only)
Phone +1 715 623 0636
Fax +1 715 623 2426
sales@tsipower.com
www.tsipower.com
Copyright © 2008 TSi