



Auto-transformer | automatic voltage regulator | UL/cUL listed

SLc model
600
5 amperes 600 VA 600 watts 120 volts
1200
10 amperes 1200 VA 1200 watts 120 volts
1800
15 amperes 1800 VA 1800 watts 120 volts

Four-stage auto-transformer voltage regulator line conditioner

This automatic voltage regulator provides stable power even when the ac mains or back-up generator voltage is extremely low or high.

Typical applications

SLc Series conditioners provide low-cost ac line protection for computers, point-of-sale terminals, copiers, data acquisition and control systems, as well as other data processing equipment.

SLc's can also be used to protect low-cost stand-by UPS to prevent discharge of UPS batteries due to low- or high-voltage transfer to inverter.

Key benefits

TSi Power's SLc Series regulated output protects switch-mode power supplies from failure caused by unstable ac mains. SLc provides three-way surge protection and reduction of surge voltage.

The SLc line conditioner can be used between a UPS and the ac mains to provide even greater protection for the connected equipment, while saving the UPS's internal batteries for true black-outs.

How the SLc Series works

The SLc Series incorporates a four-winding auto-transformer, which provides four levels of line regulation: two boost-stage and one buck-stage. Even when the input voltage varies between 75–150V, the output is regulated to within 105–130V, well within the range of most equipment.

SLc operation is monitored by four status LED's, indicating normal, boost 1, boost 2 and buck stages of voltage regulation. The front panel power switch turns the SLc unit on and supplies power to the equipment.



Key features of the SLc Series stabilizing line conditioner

- Four stages of regulated output voltages
- Wide input range
- Multi-mode surge protection
- Quiet operation
- Four ac outlets
- Front panel power switch
- Four status LED display indicators
- High efficiency
- Low cost
- Two year warranty



TSi Power Corporation
1103 West Pierce Ave
Antigo, WI 54409 USA
800 874 3160 (USA only)
Phone +1 715 623 0636
Fax +1 715 623 2426
sales@tsipower.com
www.tsipower.com
Copyright © 2008 TSi



Four stage
auto-transformer
voltage regulator

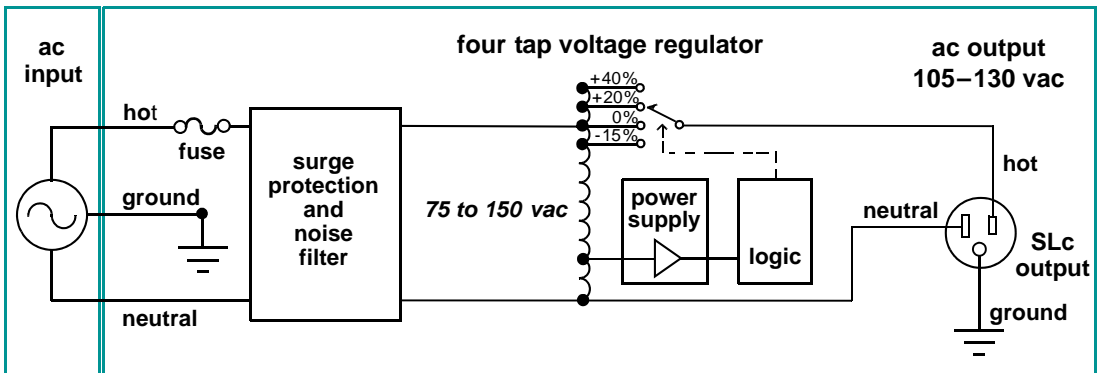


Rear view

Specification	SLc-600	SLc-1200	SLc-1800
Electrical			
Capacity in VA (watts)	600VA (600W)	1200VA (1200W)	1800VA (1800W)
Transformer type	Four winding auto-transformer.		
Input			
Nominal voltage	120 volts ac		
Operating voltage	75–150 volts ac		
Nominal frequency	60 Hz		
Ac input cord	6 foot long ac power cord with NEMA 5-15P plug.		
Output			
Ac output voltage	105– 130 volts ac		
Surge protection	Three-way surge protection system.		
Surge test conditions	Per ANSI/IEEE C62.41-1991 test pulse, Category A3, Ring wave, 6000V, 200A. Test pulse injection: Line-neutral, Line-ground, and Neutral-ground.		
Surge let-through voltages	Remnant voltage: L-N: 15V, L-G: 15V, N-G: 400V.		
Power efficiency	> 97% at full load.		
Power on/off switch	On/off rocker power switch.		
Response time	Transfers to new stage within 20 cycles of new ac input voltage.		
Transfer time	Less than 4ms between stages.		
Hysteresis	6V minimum. Prevents unnecessary switch-overs due to momentary ac sags and brownouts.		
Indicators	Four status LED's indicating normal, boost 1, boost 2, and buck stages of voltage regulation.		
Ac output receptacles	Four (NEMA 5-15R)		
Physical			
Dimensions	152mm(6")wide x 102mm(4.0")high x 203mm(8.0")deep		
Weight	3.6 kg (8 lbs)	5.0 kg (11 lbs)	6.8 kg (15 lbs)
Safety			
Agency approvals	UL and cUL listed		
Environmental			
Ambient temperature	0° to 40°C (32° to 104°F). 10 to 90% relative humidity (non-condensing).		
Warranty			
Warranty	Two year limited warranty, parts and labor.		

TSi's ongoing product improvement process makes specifications subject to change. Other companies product names herein are for identification purposes only, and may be trademarks of their respective companies.

SLc Series system architecture



TSi Power Corporation
1103 West Pierce Ave
Antigo, WI 54409 USA
800 874 3160 (USA only)
Phone +1 715 623 0636
Fax +1 715 623 2426
sales@tsipower.com
www.tsipower.com
Copyright © 2008 TSi