

Outdoor XUPS

XUPS Model

1500 Batt. A

1050 W
120 V
29 min backup

1500 Batt. B

1050 W
120 V
1.7 hr backup

2200 Batt. A

1540 W
120 V
19 min backup

2200 Batt. B

1540 W
120 V
1 hr backup

Pure Sine Wave

Wide Temperature Batteries

Voltage Regulation

Outdoor UPS with voltage regulation

The TSi Power's outdoor XUPS series is equipped with wide-temperature, pure lead, gel batteries and is housed in a weather-protected enclosure. It offers line-interactive automatic voltage regulation, over/under voltage protection, surge protection with heavy duty noise filtering, communications capability and optional extended battery backup.

Typical XUPS applications

This outdoor UPS is ideal for the protection of telecom DAS systems, perimeter surveillance, security / gate control systems, LED traffic light and roadway display systems.

How the XUPS works

The outdoor XUPS series provides automatic voltage regulation with surge protection and noise filtering, as well as overvoltage protection with a threshold of 136 V and undervoltage

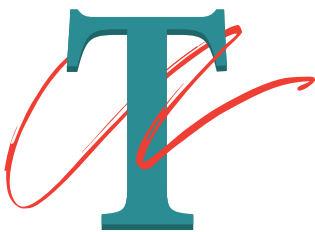


Front view showing Outdoor XUPS-2200B with door open

protection with a threshold of 96 V. In the event of a brownout, overvoltage, or loss of power, the XUPS will transfer to battery power quickly, enabling uninterrupted operation of the critical load.



Intertek



TSi POWER

1103 W Pierce Avenue
Antigo, WI 54409 USA

Tel: + 1-715-623-0636

Fax: + 1-715-623-2426

Toll-Free: 1-800-874-3160

email: sales@tsipower.com

Web: www.tsipower.com

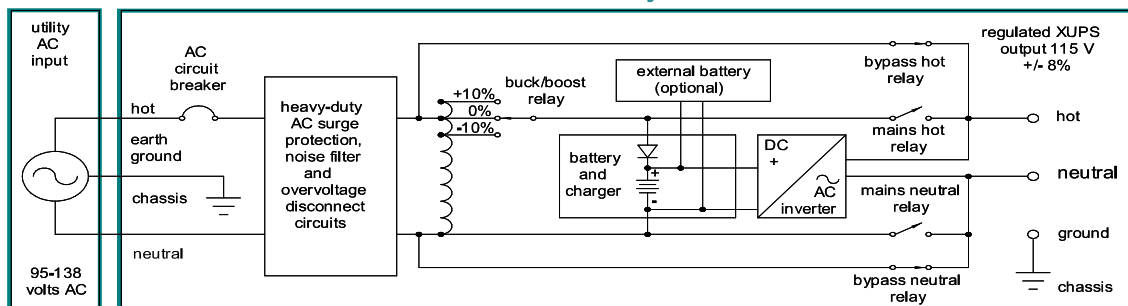
Features and Benefits

- Built-in automatic voltage regulation enables a wide-input voltage window to deliver power while preventing unnecessary battery drain.
- Precise output current limiting permits start of induction motors and other difficult loads.
- Cabinet can be pad-, pole- or wall-mounted for utmost mounting flexibility.
- Listed to UL 60950-22 standard for outdoor equipment.
- The XUPS is easy to repair because internal circuit board assemblies are connectorized.
- The XUPS includes a two-year limited warranty.
- The XUPS uses wide temperature, pure lead, gel batteries and internal cooling fan to extend battery life and protect electronic components.
- Internal bypass switch provides power if UPS fails and prevents unnecessary shutdown of connected equipment.
- LED indicators show status of load and batteries.
- Heavy-duty surge protection and noise filtering protects load and UPS.
- Quiet-ideal for use in locations with noise ordinances.

SPECIFICATION	OUTDOOR XUPS-1500	OUTDOOR XUPS-2200
INPUT		
Nominal voltage	115 V, 60 Hz	
Operating voltage	96 - 136 V without transferring to inverter	
Current @96 V & max charging 1500 / 2200	14.2 A / 19.3 A	
Circuit breaker 1500 / 2200	15 A / 20 A magnetic circuit breaker	
Surge voltage withstand	ANSI/IEEE: 6 kV, 1.2 x 50 μs / 3k A, 8 x 20 μs; L-N: 450 V L-G: 300 V	
OUTPUT		
Output power: 1500 / 2200	1050 W / 1540 W	
Voltage	115 V ± 8%	
Crest factor	3 : 1	
Waveform and THD	Sine wave, < 3% THD with linear load	
Power efficiency	Line: 97%, Inverter: 92% under full load conditions	
Power on / off switch	On / off rocker style power switch	
Transfer time	0 to 8 milliseconds	
BATTERY		
Type	Battery Option A: 8GU1	Battery Option B: 8G24
Dimensions: L x W x H Inch /mm & weight	7.71 x 5.18 x 7.22 / 196 /132 / 183- 23 lbs/10.5 kg	10.2 x 6.80 x 8.24 / 259 x 173 x 183- 52 lbs / 23.6 kg
Ah @20hr rate and bus voltage	31.6 Ah, 48 VDC	73.6 Ah, 48 VDC
Number of batteries	4	4
Battery circuit breaker	40 A	60 A
Temp. range fully charged	-15° to +50° C / 5° to +122° F / -40° to +50° C / -40° to +122° F with optional battery heater	
Battery heater pad BH 5	34 W, two required	34 W, two required
Battery backup time vs. load 1500 / 2200 * Depends on condition of battery	Battery Options	
	Option A	Option B
	29 min at 1050 W	1.7 hrs at 1050 W
	Option A	Option B
	19 min at 1540 W	1 hr at 1540 W
Recharge time to 90 %: Batt. A / Batt. B	Temperature compensated charger, charge to 90% capacity after full discharge	
	10 hours	16 hours
INDICATORS AND ALARMS		
LED Status indicators on control board	Inverter on: Amber; Low battery: Amber after inverter shut down following low batt. after long outage; Fault: Red for overload / red blinks for high temp; AC ok: Green when AC in buck, bypass or boost mode	
N / O or N / C contacts	>44 V / <44 V / On / Off, six position terminal block on control board assembly	
PHYSICAL		
Dimensions: W H D Inch / mm	24 / 24 / 17.125 / 610 / 610 / 435	
Aluminum cabinet	Outdoor type, powder coated	
Input / output connections	3 position terminal block provided for 3 x 12 AWG, 1-1/8" holes for 3/4" conduit connectors	
Weights with batteries: lbs / kg 1500 / 2200	204.4 lbs / 92.7 kg / 286 lbs / 129.7 kg	216.4 lbs / 98.2 kg / 298 lbs / 135.2 kg
Mounting option	Bolting or banding to pole via optional mounting bracket (mounting bands not included), pad (ground) with optional bottom mounted u-channel, or wall mountable via four wall mounting 'feet' which are included standard for XUPS	
ENVIRONMENTAL		
Operating temperature	-10° to +50° C / 14° to +122° F ambient air temperature	
Battery heater option	-40° to +50° C / -40° to +122° F with optional battery heater	
Cooling method	Thermostat controlled exhaust fan	
Moisture protection	Conformal coating of electronic boards for moisture resistance	
SAFETY		
Standards	UL 1778 Ed: 4, CSA C22.2 #107.3, UL 60950-1, UL 60950-22, CSA C22.2 #60950-22	
WARRANTY		
Warranty	Two-year limited warranty on parts and labor. Manufacturer warranty on batteries.	

TSi Power's ongoing product improvement process makes specifications subject to change. Other companies product names herein are for identification purposes only and may be trademarks of their respective companies.

Outdoor XUPS-1500/2200 system architecture



TSi POWER

1103 W Pierce Avenue
Antigo, WI 54409 USA

Tel: + 1-715-623-0636

Fax: + 1-715-623-2426

Toll-Free: 1-800-874-3160

email: sales@tsipower.com

Web: www.tsipower.com