

# Outdoor XUPS

## XUPS Model

### 600 Compact

500 W  
120 V  
32 min backup

### 1000 Compact

840 W  
120 V  
17 min backup

### 1500 Compact

1050 W  
120 V  
12 min backup

Pure sine wave

Wide temperature batteries

Voltage regulation

## Outdoor UPS with voltage regulation

TSi Power's outdoor XUPS series is equipped with wide-temperature, pure lead, gel batteries and is housed in a weather-protected enclosure. It offers line-interactive automatic voltage regulation, over / under voltage protection, surge protection with heavy duty noise filtering, communications capability and optional extended battery backup.

### Typical XUPS applications

This outdoor UPS is ideal for the protection of telecom DAS systems, perimeter surveillance, security / gate control systems, LED traffic light and roadway display systems.

### How the XUPS works

The outdoor XUPS series provides automatic voltage regulation with surge protection and noise filtering, as well as, overvoltage protection with a threshold of 136 V and undervoltage protection with a threshold of 96 V. In the event of a brownout, overvoltage,

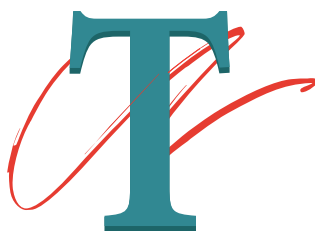


Front view showing Outdoor XUPS-1000 Compact with door open

or loss of power, the XUPS will transfer to battery power quickly, enabling uninterrupted operation of the critical load.



Intertek



TSi POWER

1103 W Pierce Avenue  
Antigo, WI 54409 USA

Tel: + 1-715-623-0636

Fax: + 1-715-623-2426

Toll-Free: 1-800-874-3160

email: sales@tsipower.com

Web: www.tsipower.com

## Features and Benefits

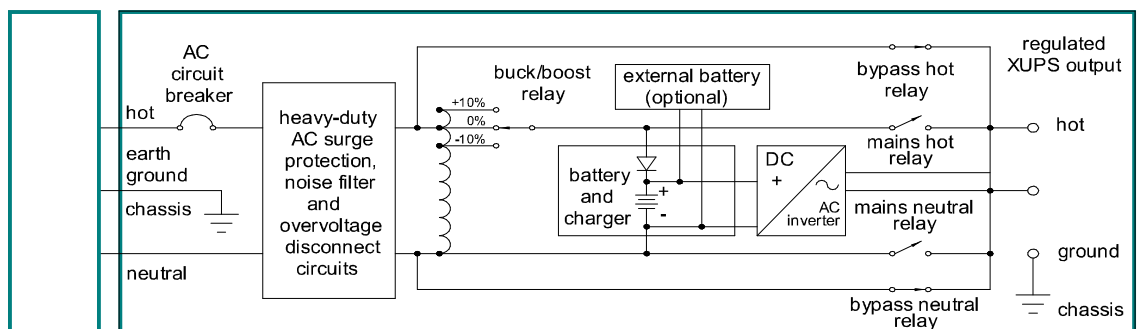
- Built-in automatic voltage regulation enables a wide-input voltage window to deliver power while preventing unnecessary battery drain.
- Internal bypass switch provides power if UPS fails and prevents unnecessary shutdown of connected equipment.
- Listed to UL 60950-22 standard for outdoor equipment.
- The XUPS is easy to repair because internal circuit board assemblies are connectorized.
- LED indicators show status of load and batteries.
- Heavy-duty surge protection and noise filtering protects load and UPS.
- The XUPS uses wide temperature, pure lead, gel batteries and internal cooling fan to extend battery life and protect electronic components.
- Quiet-ideal for use in locations with noise ordinances.
- The cabinet can be pole-, or wall mounted for utmost mounting flexibility.
- Precise output current limiting permits start of induction motors and other difficult loads.
- The XUPS includes a two-year limited warranty.
- Compact design.

SPECIFICATION	XUPS-600	XUPS-1000	XUPS-1500
<b>INPUT</b>			
Nominal voltage & frequency	115 V, 60 Hz		
Operating voltage	96 - 136 V		
Current @96 V & max charging 600 / 1000 / 1500	7.8 A	11.4 A	14.2 A
Circuit breaker 600 / 1000 / 1500	10 A	15 A	15 A
Surge voltage withstand	ANSI/IEEE: 6 kV, 1.2 x 50 μs / 3k A, 8 x 20 μs; L-N: 450 V L-G: 300 V N-G: 300 V		
<b>OUTPUT</b>			
Output power: 600 / 1000 /15000	500 W	840 W	1050 W
Voltage	115 V ± 8%		
Crest factor	3 : 1		
Waveform and THD	Sine wave, < 3% THD with linear load		
Power efficiency	Line: 97%, Inverter: 92% under full load conditions		
Power on / off switch	On / off rocker style power switch		
Transfer time	0 to 8 milliseconds		
<b>BATTERY</b>			
Type	8GU1		NP 18-12
Dimensions: L x W x H Inch / mm & weight US / Metric	7.71 x 5.18 x 7.22 / 196 x 132 x 183 23 lbs / 10.5 kg		7.1 x 3 x 6.57 / 180 x 76 x 167 13.7 lbs / 6.2 kg
Ah @20hr rate and bus voltage	31.6 Ah, 24 VDC		17.2 Ah, 48 VDC
Number of batteries	2		4
Battery circuit breaker	30 A	40 A	40 A
Temp. range fully charged	-15° to +50° C / 5° to +122° F / -40° to +50° C / -40° to +122° F with optional battery heater		
Battery heater pad BH 5	34 W, one required		34 W, two required
Battery backup time vs. load - Actual time may vary due to battery condition and ambient temperature	32 min	17 min	27 min
Recharge time	Temperature compensated charger, charge to 90% capacity after full discharge 7 hrs		
<b>INDICATORS AND ALARMS</b>			
LED Status indicators on control board	Inverter on: Amber: Low battery: Amber after inverter shut down following low batt. after long outage Fault: Red for overload / red blinks for high temp; AC ok: Green when AC in buck, bypass or boost mode		
N / O or N / C contacts	>44 V / <44 V / or >22 V / <22 V / On / Off, six position terminal block on control board assembly		
<b>PHYSICAL</b>			
Dimensions: W x H x D Inch / mm	16.5 x 20.5 x 9.5 / 419 x 521 x 241		
Aluminum cabinet	Outdoor type, powder coated		
Input / output connections	3 position terminal block provided for 3 x 12 AWG, 7/8" holes for 1/2" conduit connectors		
Weights with batteries lbs / kg 600 / 1000 / 1500	100 / 45.4	103 / 46.8	110 / 49.8
Mounting option	Wall mounting is standard, optional pole mounting bracket is available		
<b>ENVIRONMENTAL</b>			
Operating temperature	-10° to +50° C / 14° to +122° F		
Battery heater option: BH5	-40° to +50° C / -40° to +122° F		
Cooling method	Thermostat controlled exhaust fan		
Moisture protection	Conformal coating of electronic boards for moisture resistance		
<b>SAFETY</b>			
Standards	UL 1778 Ed: 4, CSA C22.2 #107.3, UL 60950-1, UL 60950-22, CSA C22.2#60950-22		
<b>WARRANTY</b>			
Warranty	Two-year limited warranty on parts and labor. Manufacturer warranty on batteries.		



TSi Power's ongoing product improvement process makes specifications subject to change. Other companies product names herein are for identification purposes only and may be trademarks of their respective companies.

### XUPS-600/1000/1500



ERROR: undefinedresource  
OFFENDING COMMAND: findresource

STACK:

/ADBCFF+NKKMAF+HelveticaNeue-Light  
/CIDFont  
/ADBCFF+NKKMAF+HelveticaNeue-Light  
[0 -1000 211 0 ]  
18

