

# Outdoor XUPS

UPS Model

1200B-0780

1200 W

115 V

1.8 hrs backup

Pure sine wave

Wide temperature batteries

Voltage regulation

## Outdoor UPS with extended backup time

TSi Power's outdoor XUPS series is equipped with wide-temperature, pure lead, gel batteries and is housed in a weather-protected enclosure. It offers line-interactive automatic voltage regulation, over/under voltage protection, surge protection with heavy duty noise filtering, communications capability and optional extended battery backup.

### Typical XUPS applications

This outdoor UPS is ideal for the protection of telecom DAS systems/sewage control systems / perimeter surveillance and security / gate control systems, LED traffic light / roadway display systems and industrial remote terminal units (RTUs).

### How the XUPS works

The outdoor XUPS series provides automatic voltage regulation with surge protection and noise filtering, as well as overvoltage protection with a threshold of 138V and undervoltage protection with a threshold of 95 V. In the event of a brownout, overvoltage or loss of power, the XUPS will transfer to battery power quickly,



Front right side view with door open and showing optional pad-mount "U" channels

enabling uninterrupted operation of computer, telecom, surveillance, signaling or other systems.

## Features and Benefits

- *Built-in automatic voltage regulation enables a wide-input voltage window to deliver power while preventing unnecessary battery drain.*
- *LED status indicators show voltage, load, fault and battery conditions.*
- *The XUPS is compatible with high-quality generators.*
- *The cabinet can be pad-, pole-, or wall mounted for utmost mounting flexibility.*
- *Rain tested to UL 50E standards.*
- *Heavy-duty surge protection and noise filtering protects load and UPS.*
- *The XUPS uses wide temperature, pure lead, gel batteries and internal cooling fan to extend battery life and protect electronic components.*
- *Operates in line mode with bad battery bank, which prevents unscheduled service calls.*
- *The XUPS is easy to repair because internal circuit board assemblies are connectorized.*
- *Precise output current limiting permits start of induction motors and other difficult loads.*
- *Includes a two-year limited warranty.*



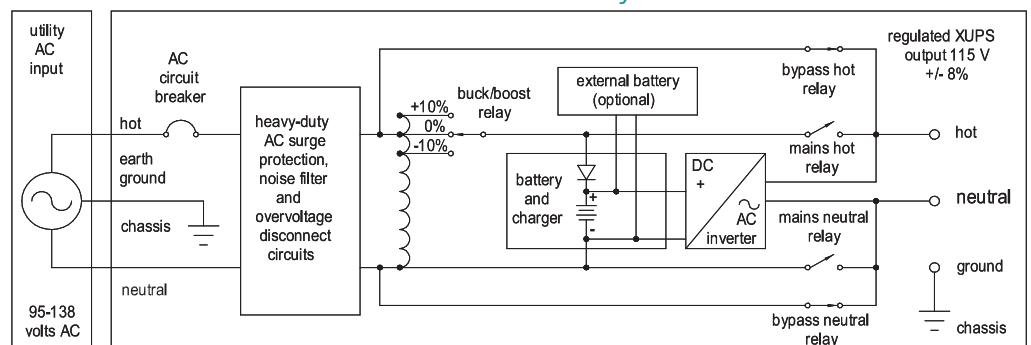
TSi POWER

1103 W Pierce Avenue  
Antigo, WI 54409 USA  
Tel: + 1-715-623-0636  
Fax: + 1-715-623-2426  
Email: sales@tsipower.com  
Toll free: 1-800-874-3160  
Web: www.tsipower.com

SPECIFICATION	1200B-0780
<b>INPUT</b>	
Nominal voltage	115 V $\pm$ 8%
Operating voltage	96 - 136 V without transferring to inverter
Current @96 V & max charging	16.6 A
Circuit breaker (FC00017)	20 A
Surge voltage test condition	ANSI/IEEE: 6 kV, 1.2 x 50 $\mu$ s /3 kA, 8 x 20 $\mu$ s; L-N: 450 V L-G: 300 V N-G: 300 V
<b>OUTPUT</b>	
Output power	1200 W
Voltage	115 V $\pm$ 8%
Crest factor	3 : 1
Waveform and THD	Sine wave, < 3% THD with linear load
Power efficiency	Line: 97%, Inverter: 92% under full load conditions
Transfer time	0 to 8 milliseconds
<b>BATTERY</b>	
Type	Four (4) Wide-temperature, sealed gel cells, pure lead, MK Battery: 8G24FT (sold separately)
Dimensions inch / mm ; weight	7.71L x 5.18W x 7.22H / 196L x 132W x 183H; 52 lbs / 23.6kg
Ah @ 20hr rate and bus voltage	73.6 Ah, 48 VDC
Number of batteries	4
Battery circuit breaker	40 A magnetic type
Temp. range fully charged	-4° to +140° F (-20° to +60° C), -40° to +140° F (-40° to + 60° C) with optional battery heater
Battery backup time vs. load	1.5 hrs at 1200 W 4.25 hrs at 600 W
Recharge time	Temperature compensated charger, charge to 90% capacity after full discharge - 20 hours
<b>INDICATORS AND ALARMS</b>	
Status indicators	INVERTER ON : Amber, Solid; FAULT ON : Red, Solid; LOW BATT ON : Amber, Solid; BUCK ON : Green, Solid; BOOST ON : Green, Solid; AC ON : Green Solid
Alarm connections	6 Alarm connection terminal block is integrated into the main control board
<b>PHYSICAL</b>	
Dimensions inch / mm	24H x 24W x 17.125D / 762H x 762W x 435D
Aluminum cabinet	Outdoor type, powder coated gray, rain tested to NEMA 3R UL 50
Input / output connections	3 position terminal block provided for 3 x 12 AWG, 3/4" holes for conduit connectors
Weight, without batteries lbs / kg	87 / 39.5
Mounting option	Bolting or banding to monopole via optional pole mount bracket - PM2 (stainless steel mounting bands not included), pad (ground) with optional bottom mounted u-channel - PAD2, or wall mountable via four wall mounting 'feet' which are included standard - WM2
<b>ENVIRONMENTAL</b>	
Operating temperature	14° to +113° F (-10° to +45° C) ambient air temperature
Battery heater option	-40° to +113° F (-40° to +45° C) with optional battery heater
Cooling method	Thermostat controlled exhaust fan for heat sinks on main circuit board
Moisture protection	Conformal coating of electronic boards for moisture resistance
<b>SAFETY</b>	
Standards	Designed to conform to UL 60950-1 and UL 1778 and rain tested to NEMA 3R
<b>WARRANTY</b>	
Warranty	Two-year limited warranty, parts and labor. Manufacturer warranty on batteries.

TSi Power's ongoing product improvement process makes specifications subject to change. Other companies product names herein are for identification purposes only and may be trademarks of their respective companies.

## Outdoor XUPS-1200B-0780 system architecture



**TSI POWER**

1103 W Pierce Avenue  
Antigo, WI 54409 USA  
Tel: + 1-715-623-0636  
Fax: + 1-715-623-2426  
Email: sales@tsipower.com  
Toll free: 1-800-874-3160  
Web: www.tsipower.com