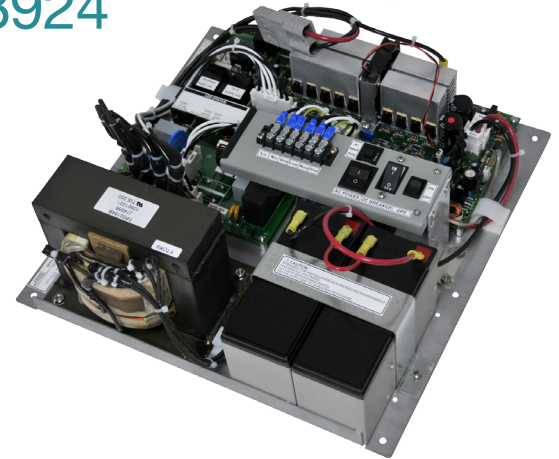


Outdoor XUPS-600-8924

TSi Power's Outdoor-XUPS-600-8924 baseplate assembly is equipped with wide-temperature AGM batteries and is mounted on a baseplate for mounting in various customer provided enclosures or locations. It offers line-interactive automatic voltage regulation, over / under voltage protection, surge protection with heavy-duty noise filtering and communications capability.



Top ISO view showing complete baseplate assembly

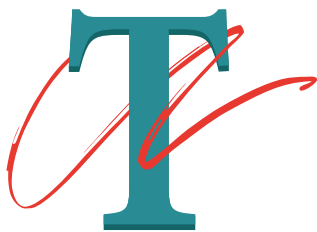
Typical applications

This outdoor UPS system is intended for customers who may already have their own cabinets or who need additional battery backup time but don't have the room in their current installations. The baseplate allows the customer to mount a standard 600 VA UPS wherever they want. Applications for this UPS are ideal for the protection of telecom systems / sewage control systems / perimeter surveillance and security / gate control

systems, LED traffic light / roadway display systems and industrial remote terminal units (RTUs).

How the XUPS works

The outdoor XUPS provides automatic, well-regulated AC output and uses a three-stage, temperature-compensated battery charger for optimal battery life. The heavy-duty surge protection and noise filtering on the AC input helps protect the unit and load from transients on the line.



TSi POWER

1103 W Pierce Avenue
Antigo, WI 54409 USA

Tel: + 1-715-623-0636

Fax: + 1-715-623-2426

Toll-Free: 1-800-874-3160

email: sales@tsipower.com

Web: www.tsipower.com

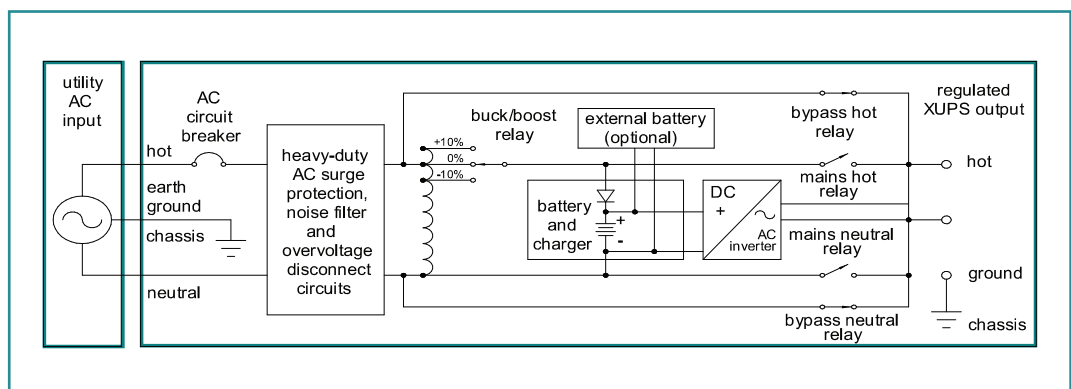
Features and Benefits

- UPS mounted on base plate provides greatest mounting flexibility.
- LED Conformal coating on all circuit boards protects against moisture.
- Wide temperature AGM batteries ensure optimum performance and long service life.
- Precise output current limiting permits start of induction motors and other difficult loads.
- Temperature compensated three stage charger improves reliability and performance.
- "Heavy-duty" surge protection and noise filtering protects load and UPS.
- Wide AC input voltage window lengthens battery life.
- Two-year limited warranty backs-up workmanship and product performance.

SPECIFICATION	600-8924
INPUT	
Nominal voltage	115 V
Operating voltage	96 - 136 V without transferring to inverter
Current @96 V & max charging	6.2 A
Circuit breaker	7 A push-to-reset circuit breaker
Surge voltage withstand	ANSI/IEEE: 6 kV, 1.2 x 50 μ s/3 kA, 8 x 20 μ s; L-N: 450 V L-G: 300 V N-G: 300 V
OUTPUT	
Output power	500 W
Voltage	115 V \pm 8%
Crest factor	3 : 1
Waveform and THD	Sine wave, < 3% THD with linear load
Power efficiency	Line: 97%, Inverter: 92% under full load conditions
Power on/off switch	On / off rocker style power switch
Transfer time	0 to 8 milliseconds
BATTERY	
Type	Wide-temperature, sealed gel cells, pure lead, AGM Battery
Dimensions and weight	L: 5.94" (151 mm) W: 2.56" (65 mm) H: 3.84" (97.54 mm) Weight: 5.84 lbs (2.65 kg)
Ah @20hr rate and bus voltage	7 Ah, 24 VDC
Number of batteries	2
Battery circuit breaker	30 A magnetic type
Temp. range fully charged	-4° to +140° F (-20° to +60° C), -40° to +140° F (-40° to + 60° C) with optional battery heater
Battery backup time vs. load	5 min at 500 W 20 min at 250 W 2.5 hrs at 50 W
Recharge time	Temperature compensated charger, charge to 90% capacity after full discharge 3 hours
INDICATORS AND ALARMS	
Status indicators	LED indicators on main circuit board: INVERTER ON, Amber Solid; FAULT ON, Red Solid or Flashing; LOW BATTERY ON, Amber Solid; BUCK ON, Green Solid; BOOST ON, Green Solid; AC OK ON, Green Solid.
PHYSICAL	
Dimensions	15" (381 mm) wide x 15" (381 mm) high - component heights 6.5" (159 mm)
Input / output connections	6 position terminal block provided for IN, OUT and GROUND connections
Weight lbs / kg	40 lbs (18.14 kg)
ENVIRONMENTAL	
Operating temperature	-15° to +50° C (5° to +122° F) ambient air temperature
Battery heater option	-40° to +50° C (-40° to +122° F) with BH5 optional battery heater
Cooling method	DC fan on circuit board
Moisture protection	Conformal coating of electronic boards for moisture resistance
SAFETY	
Standards	Designed to conform to UL 60950-1 and UL 1778
WARRANTY	
Warranty	Two-year limited warranty, parts and labor. Manufacturer warranty on batteries.

TSi Power's ongoing product improvement process makes specifications subject to change. Other companies product names herein are for identification purposes only and may be trademarks of their respective companies.

Outdoor XUPS-600-8924 system architecture



TSi POWER

1103 W Pierce Avenue
Antigo, WI 54409 USA

Tel: + 1-715-623-0636
Fax: + 1-715-623-2426
Toll-Free: 1-800-874-3160
email: sales@tsipower.com
Web: www.tsipower.com