

ILC

Hospital grade

Medical isolation transformer

IEC 60601-1 3rd Edition

Medical line conditioners

ILC Model

500-MED-8EU**500 W / VA
230 V, 60 Hz
2.2 A****750-MED-8EU****750 W / VA
230 V, 60 Hz
3.3 A****1000-MED-8EU****1000 W / VA
230 V, 60 Hz
4.3 A**

TSi Power's ILC MED series of hospital-grade isolation transformers are tested and listed to UL 60601-1 3rd Edition. ILC-MED units are designed specifically for European power distribution systems and are only available in 230 V, 50 Hz versions. As such they comply with applicable provisions for safety of TN and other systems. There are no design compromises to accommodate the conflicting requirements of 120 V, 60 Hz systems.

ILC-MED products meet all requirements for leakage current as stipulated by IEC 60601-1 3rd Edition. In addition, ILC-MED provides coordinated surge protection and filtering of fast-rise-time voltages. Unlike dual voltage units, ILC-MED has an optional neutral-to-ground bond to provide a path for fault current from a connected load without the need for a GFCI circuit breaker.

How ILC-MED works

ILC-MED consists of a low-inrush current EI transformer that does not require current limiting thermistors on the input. A two-pole filter and a metal oxide varistor provide coordinated surge protection which



eliminates the need for additional surge protection. The isolation transformer reduces leakage current typically to levels below $100\mu\text{A}$.

Features and Benefits

- *Designed to IEC standards. No compromises necessary to also accommodate North American safety standards.*
- *Meets or exceeds 100 μA leakage current requirement for patient safety.*
- *Optional secondary neutral-to-ground bond provides path for fault current of connected equipment. No need to add GFCI circuit. Compliance with NEC.*
- *No embedded thermal devices in transformer. Less risk of failure.*
- *Thermal circuit breakers rather than inlets with fuses. No need to worry about replacing fuses.*
- *Designed for 230 V, 50 Hz only. No confusing setting input and output voltages.*
- *Low-inrush current EI transformer limits inrush current without the use of unreliable thermistors. Less risk of tripping upstream circuit breakers during power cycling.*
- *Coordinated surge protection and filtering eliminates need for inferior, external surge protectors. Improved system reliability decreases service calls.*
- *Eight outlets are standard. Provides maximum flexibility.*
- *IEC inlet and outlets are standard.*

CE**TSi POWER**

1103 W Pierce Avenue
Antigo, WI 54409 USA
Tel: + 1-715-623-0636
Fax: + 1-715-623-2426
Toll-Free: 1-800-874-3160
email: sales@tsipower.com
Web: www.tsipower.com

Specification	ILC-500-MED-8EU	ILC-750-MED-8EU	ILC-1000-MED-8EU
Input			
Nominal voltage & frequency	230 V, 50 Hz		
Operating voltage	230 V		
Max current	3 A	4 A	5 A
IEC C14 inlet	Standard		
Circuit breaker	250 V, 3 A	250 V, 4 A	250 V, 5 A
Surge voltage test condition	ANSI/IEEE: 6 kV, 1.2 x 50 μ s / 3 kA, 8 x 20 μ s		
Surge voltage let-through	L-N: <450 V L-G: <10 V N-G: <10 V		
Output			
Output power	500 W / VA	750 W / VA	1000 W / VA
Nominal voltage	230 V		
Max current	2.2 A	3.3 A	4.3 A
Power efficiency	94 to 96%		
IEC C13 outlets	Eight x C13		
Indicators and alarms			
Status indicators	Green LEDs front and back indicate unit is operational		
Physical			
Dimensions	Height: 5.5" / 139.7 mm Length: 9" / 228.6 mm Width: 7.5" / 190.5 mm		
Enclosure	Two-piece powder coated steel		
Weight lbs / kg	19 lbs / 8.63 kg	24 lbs / 10.9 kg	27 lbs / 12.26 kg
Mounting	To be placed on floor or flat surface		
Environmental			
Ambient temperature	32° to +104° F / 0° to +40° C		
Cooling method	Convection cooling		
Humidity	95% non-condensing		
Safety			
Leakage current	<100 μ A		
Standards	IEC 60601-1 Medical electrical equipment Part 1: General requirements for basic safety and essential performance		
Warranty			
Warranty	Five-year limited warranty, parts and labor		

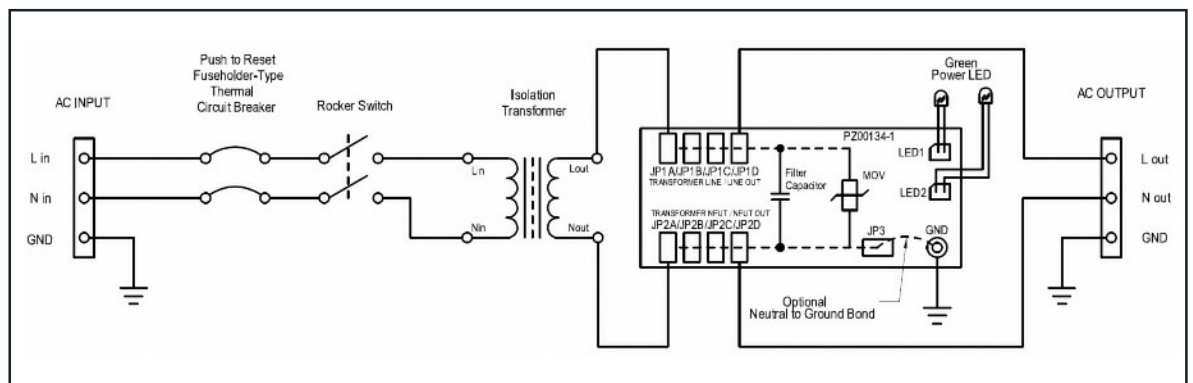
TSi Power's ongoing product improvement process makes specifications subject to change. Other companies' product names herein are for identification purposes only and may be trademarks of their respective companies.



TSi POWER

1103 W Pierce Avenue
Antigo, WI 54409 USA
Tel: + 1-715-623-0636
Fax: + 1-715-623-2426
Toll-Free: 1-800-874-3160
email: sales@tsipower.com
Web: www.tsipower.com

ILC-MED Series System Architecture



Copyright © 2015 TSi Power Corp.

SP30008 - Rev. 0, 2/15