

ILC

ILC Model

240-MED-4

240 W / VA
120 V, 60 Hz
2 A

Hospital grade

Medical isolation transformer

UL 60601-1 3rd Edition

Medical line conditioners

TSi Power's ILC MED series of hospital-grade isolation transformers are tested and listed to UL 60601-1 3rd Edition. ILC-MED units are designed specifically for North American power distribution systems and are only available in 120 V, 60 Hz versions. As such they comply with the National Electric Code provisions for safety of separately derived systems. There are no design compromises to accommodate the conflicting requirements of 230 V, 50 Hz Systems.

ILC-MED products meet all requirements for leakage current as stipulated by UL 60601-1 3rd Edition. In addition, ILC-MED provides coordinated surge protection and filtering of fast-rise-time voltages. Unlike dual voltage units, ILC-MED has a neutral-to-ground bond to provide a path for fault current from a connected load.

How ILC-MED works

ILC-MED consists of a low-inrush current EI transformer that does not require current limiting thermistors on the input. A two-pole filter and a metal oxide varistor provide coordinated surge protection which eliminates the need for additional



surge protection. The isolation transformer reduces leakage current to <math><100 \mu\text{A}</math>.

Features and Benefits

- *Designed to North American standards. No compromises necessary to also accommodate European standards that conflict with the National Electric Code.*
- *Meets or exceeds 100 μA leakage current requirement for patient safety.*
- *Secondary neutral-to-ground bond provides path for fault current of connected equipment. No need to add GFCI circuit. Compliance with NEC.*
- *No embedded thermal devices in transformer. Less risk of failure.*
- *Thermal circuit breakers rather than inlets with fuses. No need to worry about replacing fuses.*
- *Designed for 120 V, 60 Hz only. No confusing setting input and output voltages.*
- *Low-inrush current EI transformer limits inrush current without the use of unreliable thermistors. Less risk of tripping upstream circuit breakers during power cycling.*
- *Coordinated surge protection and filtering eliminates need for inferior, external surge protectors. Improved system reliability decreases service calls.*
- *Four outlets are standard. Provides maximum flexibility.*
- *NEMA or IEC outlets available. Fits all standard receptacles and plugs.*

RECOGNIZED
COMPONENT



Intertek



TSi POWER

1103 W Pierce Avenue
Antigo, WI 54409 USA

Tel: 715-623-0636

Fax: 715-623-2426

Toll-Free: 1-800-874-3160

email: sales@tsipower.com

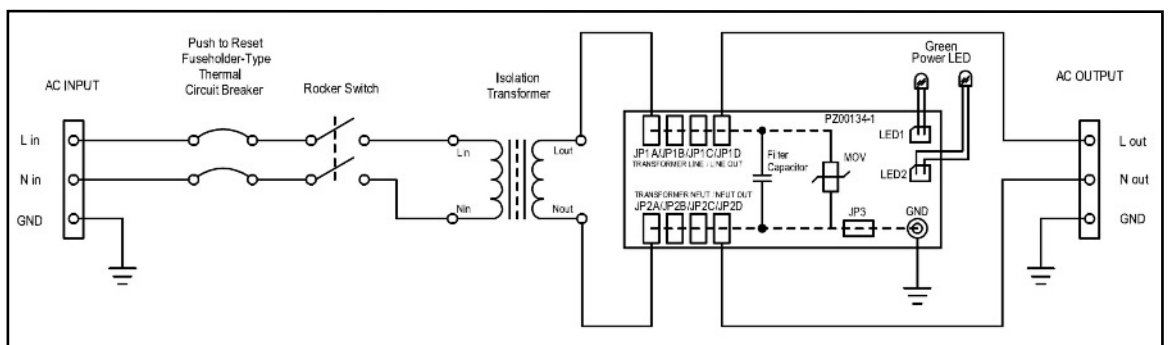
Web: www.tsipower.com

Specification	ILC-240-MED-4
Input	
Nominal voltage & frequency	120 V, 60 Hz
Operating voltage	120 V
Max current	3 A
Six foot 5-15 P hospital grade cord set	Standard
IEC C14 inlet	Option C
Circuit breaker, thermal push-to-reset type	250 V, 3 A
Surge voltage test condition	ANSI/IEEE: 6 kV, 1.2 x 50 μ s / 3 kA, 8 x 20 μ s
Surge voltage let-through	L-N: <450 V L-G: <10 V N-G: <10 V
Output	
Output power	240 W / VA
Nominal voltage	120 V
Max current	2 A
Power efficiency	94 to 96%
Four 5-15 R outlets	Standard
Four IEC C13 outlets	Option C
Indicators and alarms	
Status indicators	Green LEDs front and back indicate unit is operational
Physical	
Dimensions	Height: 4.55" / 115.6 mm Length: 8" / 203.2 mm Width: 6" / 152.4 mm
Enclosure	Two-piece powder coated steel
Weight lbs / kg	11 lbs / 5 kg
Mounting	To be placed on floor or flat surface
Environmental	
Ambient temperature	32° to +104° F / 0° to +40° C
Cooling method	Convection cooling
Humidity	95% non-condensing
Safety	
Leakage current	<100 μ A
Standards	Power supply for use in health care facilities. Conforms to AAMI ES 60601-1 Certified to CSA C22.2 NO. 60601-1 Intertek/ETL Report Number: 101470838MIN-002 original issued 17-Jul-2014
Warranty	
Warranty	Five-year limited warranty, parts and labor



TSi Power's ongoing product improvement process makes specifications subject to change. Other companies' product names herein are for identification purposes only and may be trademarks of their respective companies.

ILC-MED Series System Architecture



1103 W Pierce Avenue
Antigo, WI 54409 USA
Tel: 715-623-0636
Fax: 715-623-2426
Toll-Free: 1-800-874-3160
email: sales@tsipower.com
Web: www.tsipower.com