

# ILC

**ILC Model****240-MED-4EU****240 W / VA  
230 V, 50 Hz  
1.04 A**

Hospital grade

Medical isolation transformer

IEC 60601-1 3<sup>rd</sup> Edition

## Medical line conditioners

TSi Power's ILC MED series of hospital-grade isolation transformers are tested and listed to UL 60601-1 3<sup>rd</sup> Edition. ILC-MED units are designed specifically for European power distribution systems and are only available in 230 V, 50 Hz versions. As such they comply with applicable provisions for safety of TN and other systems. There are no design compromises to accommodate the conflicting requirements of 120 V, 60 Hz systems.

ILC-MED products meet all requirements for leakage current as stipulated by IEC 60601-1 3<sup>rd</sup> Edition. In addition, ILC-MED provides coordinated surge protection and filtering of fast-rise-time voltages. Unlike dual voltage units, ILC-MED has an optional neutral-to-ground bond to provide a path for fault current from a connected load without the need for a GFCI circuit breaker.

### How ILC-MED works

ILC-MED consists of a low-inrush current EI transformer that does not require current limiting thermistors on the input. A two-pole filter and a metal oxide varistor provide coordinated surge protection which



eliminates the need for additional surge protection. The isolation transformer reduces leakage current to <math><100 \mu\text{A}</math>.

## Features and Benefits

- *Designed to IEC standards. No compromises necessary to also accommodate North American safety standards.*
- *Meets or exceeds 100  $\mu\text{A}$  leakage current requirement for patient safety.*
- *Optional secondary neutral-to-ground bond provides path for fault current of connected equipment. No need to add GFCI circuit. Compliance with NEC.*
- *No embedded thermal devices in transformer. Less risk of failure.*
- *Thermal circuit breakers rather than inlets with fuses. No need to worry about replacing fuses.*
- *Designed for 230 V, 50 Hz only. No confusing setting input and output voltages.*
- *Low-inrush current EI transformer limits inrush current without the use of unreliable thermistors. Less risk of tripping upstream circuit breakers during power cycling.*
- *Coordinated surge protection and filtering eliminates need for inferior, external surge protectors. Improved system reliability decreases service calls.*
- *Four outlets are standard. Provides maximum flexibility.*
- *IEC inlet and outlets are standard.*

# CE

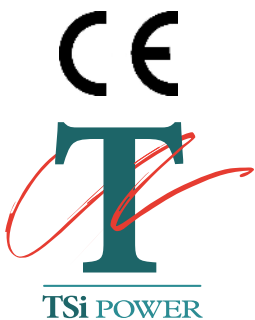
# T

**TSi POWER**

1103 W Pierce Avenue  
Antigo, WI 54409 USA  
Tel: + 1-715-623-0636  
Fax: + 1-715-623-2426  
Toll-Free: 1-800-874-3160  
email: sales@tsipower.com  
Web: www.tsipower.com

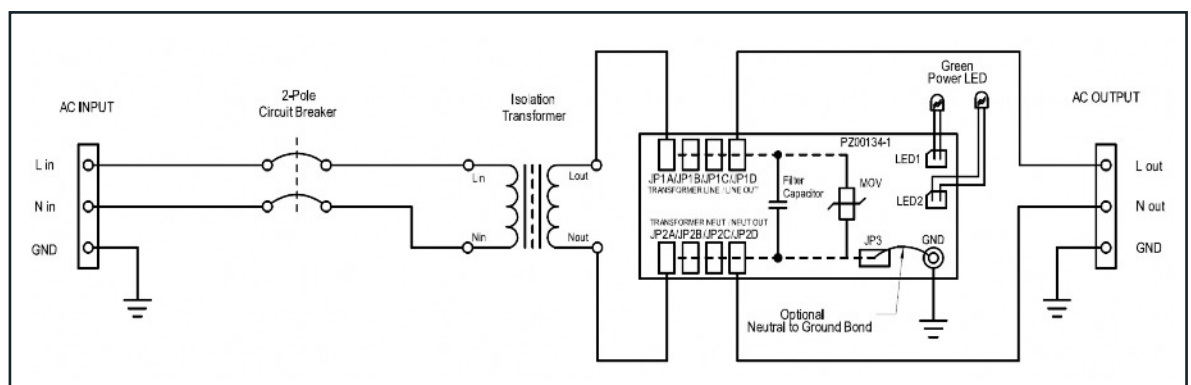
Specification	ILC-240-MED-4EU
<b>Input</b>	
Nominal voltage & frequency	230 V, 50 Hz
Operating voltage	230 V
Max current	1.5 A
IEC C14 inlet	Standard
Circuit breaker	250 V, 1.5 A
Surge voltage test condition	ANSI/IEEE: 6 kV, 1.2 x 50 $\mu$ s / 3 kA, 8 x 20 $\mu$ s
Surge voltage let-through	L-N: <450 V L-G: <10 V N-G: <10 V
<b>Output</b>	
Output power	240 W / VA
Nominal voltage	230 V
Max current	1.04 A
Power efficiency	94 to 96%
Four IEC C13 outlets	Standard
<b>Indicators and alarms</b>	
Status indicators	Green LEDs front and back indicate unit is operational
<b>Physical</b>	
Dimensions	Height: 4.55" / 115.6 mm Length: 8" / 203.2 mm Width: 6" / 152.4 mm
Enclosure	Two-piece powder coated steel
Weight lbs / kg	11 lbs / 5 kg
Mounting	To be placed on floor or flat surface
<b>Environmental</b>	
Ambient temperature	32° to +104° F / 0° to +40° C
Cooling method	Convection cooling
Humidity	95% non-condensing
<b>Safety</b>	
Leakage current	<100 $\mu$ A
Standards	IEC 60601-1 Medical electrical equipment Part 1: General requirements for basic safety and essential performance
<b>Warranty</b>	
Warranty	Five-year limited warranty, parts and labor

TSi Power's ongoing product improvement process makes specifications subject to change. Other companies' product names herein are for identification purposes only and may be trademarks of their respective companies.



1103 W Pierce Avenue  
Antigo, WI 54409 USA  
Tel: + 1-715-623-0636  
Fax: + 1-715-623-2426  
Toll-Free: 1-800-874-3160  
email: sales@tsipower.com  
Web: www.tsipower.com

## ILC-MED Series System Architecture



Copyright © 2015 TSi Power Corp.

SP30010 - Rev. 0, 2/15