

# ATS

Two AC inputs - one AC output | Automatic transfer switch

ATS Model	
1000-3000	15 A 208, 220, 240 V
1000-5000	20 A 208, 220, 240 V
1000-7000	30 A 208, 220, 240 V

## Automatic transfer switches

The ATS-1000 series of automatic transfer switches is designed for applications where two or more autonomous power sources are available. The ATS can be utilized as single or multiple units for different levels of redundancy.

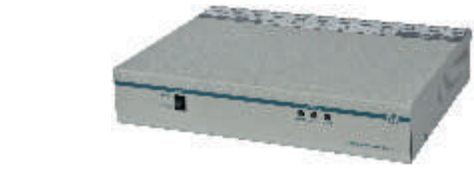
### Typical ATS applications

Applications include but are not limited to telecom, computers, data centers, industrial control, automatic test equipment, oil exploration and utilities.

### How the ATS works

The ATS works with asynchronous or out-of-phase power sources which allows them to be used with a number of different sources. Customers with special requirements can be offered custom programming to address special use situations.

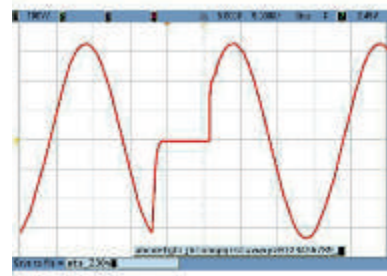
The ATS is fed by two AC power sources. When the primary power source detector circuit senses a loss of power on that circuit, it immediately switches the load over to the backup power source in less than eight ms.



Front view showing enable/disable audible alarm switch and LED status indicators



Rear view showing compartment covers, DB-9 connector, primary and backup circuit breakers



Transfer between primary and backup power

Upon return of primary power, the ATS will switch back in less than eight ms. This is fast enough to be invisible to even the most sensitive equipment.

## Features and Benefits

- Accepts inputs from asynchronous sources and can be used with most supply voltages, including out-of-phase.
- Eight ms transfer time between sources is fast enough for even the most sensitive loads.
- Audible alarm with enable/ disable switch provides for unattended security.
- LED status indicators for quick visual displays of fault conditions.
- Higher than 99% efficiency means substantial energy savings (when the ATS is used as a battery-less UPS).
- Remote monitoring is provided through a DB9 port.
- 70-90% reduction in both CAP-EX and OP-EX (when the ATS is used as a battery-less UPS).
- Built-in primary and backup 'flat-on' rocker style circuit breakers are highly visible and easily accessible on rear of unit.
- The ATS allows redundant AC power to mission-critical equipment using any combination of UPS, backup generator or other available autonomous AC power sources.
- Sturdy steel enclosure can be rack, wall or floor mounted with optional mounting brackets.

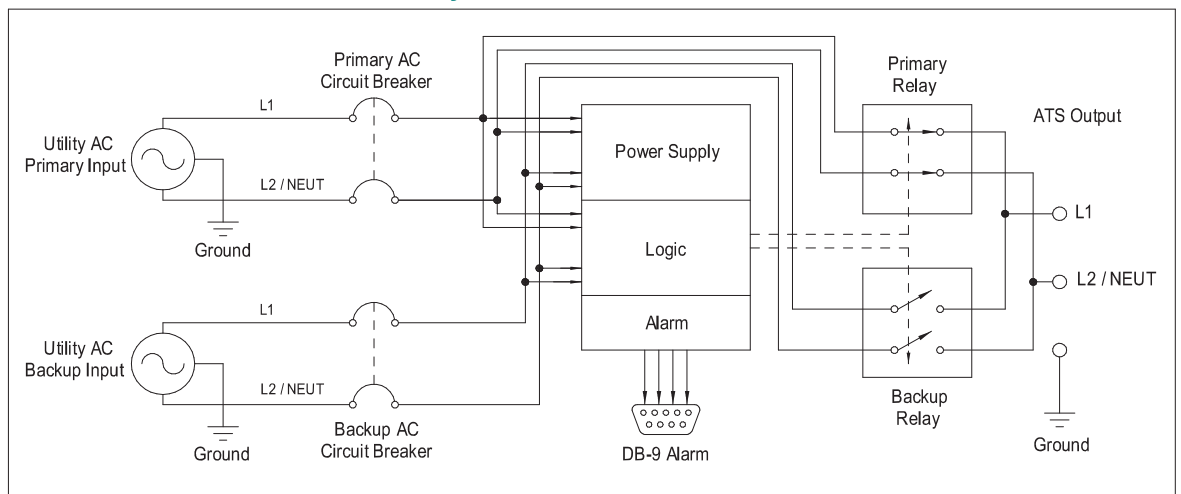


1103 W Pierce Avenue  
 Antigo, WI 54409 USA  
 Tel: + 1-715-623-0636  
 Fax: + 1-715-623-2426  
 Toll-Free: 1-800-874-3160  
 email: sales@tsipower.com  
 Web: www.tsipower.com

SPECIFICATION	ATS-1000-3000	ATS-1000-5000	ATS-1000-7000
<b>ELECTRICAL</b>			
VA at 208, 220, 240 V:	3120 /3300 / 3600	4160 / 4400 /4800	6240 / 6600 /7200
Circuit breaker ratings	15 A	20 A	30 A
Switching technology	Mechanical relays		
<b>INPUT</b>			
Voltage / Current	208, 220, 240 V / 15, 20, 30 A		
Voltage range: 208 / 220 / 240	177 - 230 V / 187 - 253 V / 204 - 276 V		
Frequency range	47 to 63 Hz ± 5%, Caution: Both sources must use same nominal frequency		
Transfer time	8 ms		
Input / output wire size	14 AWG ( 2.5 mm <sup>2</sup> )	12 AWG ( 4 mm <sup>2</sup> )	10 AWG ( 6 mm <sup>2</sup> )
AC input connections	Hardwire terminals (standard Hardwired units must be installed by a qualified electrician)		
<b>OUTPUT</b>			
Voltage / Current	208, 220, 240 V / 15, 20, 30 A		
Load regulation	1 % from no load to full load		
Power efficiency	99% or higher		
AC output connections	Hardwire terminals (standard Hardwired units must be installed by a qualified electrician)		
LED indicators: Green / Yellow / Red	Primary output / Backup output / No primary or backup AC		
Audible alarm	Buzzer beeps when loss of primary or backup AC occurs		
Audible alarm on / off	Enable / Disable switch		
Alarm contacts	Rear-mounted DB-9 connector sends loss of primary / backup AC		
<b>PHYSICAL</b>			
Dimensions: Inches / mm	W: 16" / 406 mm H: 3.25" / 83 mm D: 12" / 305 mm		
Weight: lbs / kg	12 lbs / 5.45 kg		
Front mount kit for rack: 19" / 23" / 24"    Center mount kit for rack: 19" / 23" / 24" Wall or floor mount kit	MK-5019A / MK-5023A / MK-5024A MK-5019F / MK-5023F / MK-5024F MK-5000C		
<b>ENVIRONMENTAL</b>			
Ambient temperature	0° to 40° C / 32° to 104° F		
<b>AGENCY APPROVALS</b>			
Safety	UL 60950-1 Issue: 2007/03/27 Ed:2 UL Standard for Safety Information Technology Equipment - Safety - Part 1: General Requirements - CSA C22.2#60950-1 Issued: 2007/03/01 Ed:2 Information Technology Equipment Safety Part 1: General Requirements		
<b>WARRANTY</b>			
Warranty	Two year limited warranty covers parts and labor		

TSi Power's ongoing product improvement process makes specifications subject to change. Other companies product names herein are for identification purposes only and may be trademarks of their respective companies.

### ATS system architecture



**TSi POWER**  
 1103 W Pierce Avenue  
 Antigo, WI 54409 USA  
 Tel: + 1-715-623-0636  
 Fax: + 1-715-623-2426  
 Toll-Free: 1-800-874-3160  
 email: sales@tsipower.com  
 Web: www.tsipower.com