

ATS

ATS Model

1000-3900

15 A
3450 VA
230 V

1000-5900

20 A
4600 VA
230 V

1000-7900

30 A
6900 VA
230 V

Two AC inputs - one AC output

Automatic transfer switch

Automatic transfer switches

The ATS-1000 series of automatic transfer switches is designed for applications where two or more autonomous power sources are available. The ATS can be utilized as single or multiple units for different levels of redundancy.

Typical ATS applications

Applications include but are not limited to telecom, computers, data centers, industrial control, automatic test equipment, oil exploration and utilities.

How the ATS works

The ATS works with asynchronous or out-of-phase power sources which allows them to be used with a number of different sources. Customers with special requirements can be offered custom programming to address special use situations.

The ATS is fed by two AC power sources. When the primary power source detector circuit senses a loss of power on that circuit, it immediately switches the load over to the backup power source in less than eight ms.

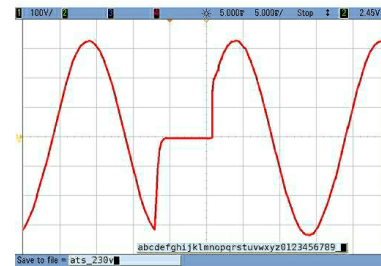
Upon return of primary power, the ATS will switch back in less than eight ms. This is fast enough to be invisible to even the most sensitive equipment.



Front view showing enable/disable audible alarm switch and LED status indicators



Rear view showing compartment covers, DB-9 connector, primary and backup circuit breakers



Transfer between primary and backup power

Features and Benefits

- Accepts inputs from asynchronous sources and can be used with most supply voltages, including out-of-phase.
- Eight ms transfer time between sources is fast enough for even the most sensitive loads.
- Audible alarm with enable/ disable switch provides for unattended security.
- LED status indicators for quick visual displays of fault conditions.
- Higher than 99% efficiency means substantial energy savings (when ATS is used as a battery-less UPS).
- Remote monitoring is provided through a DB9 port.
- 70-90% reduction in both CAP-EX and OP-EX (when ATS is used as a battery-less UPS).
- Built-in primary and backup 'flat-on' rocker style circuit breakers are highly visible and easily accessible on rear of unit.
- The ATS allows redundant AC power to mission-critical equipment using any combination of UPS, backup generator or other available autonomous AC power sources.
- Sturdy steel enclosure can be rack, wall or floor mounted with optional mounting brackets.

CE



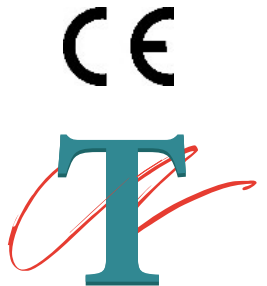
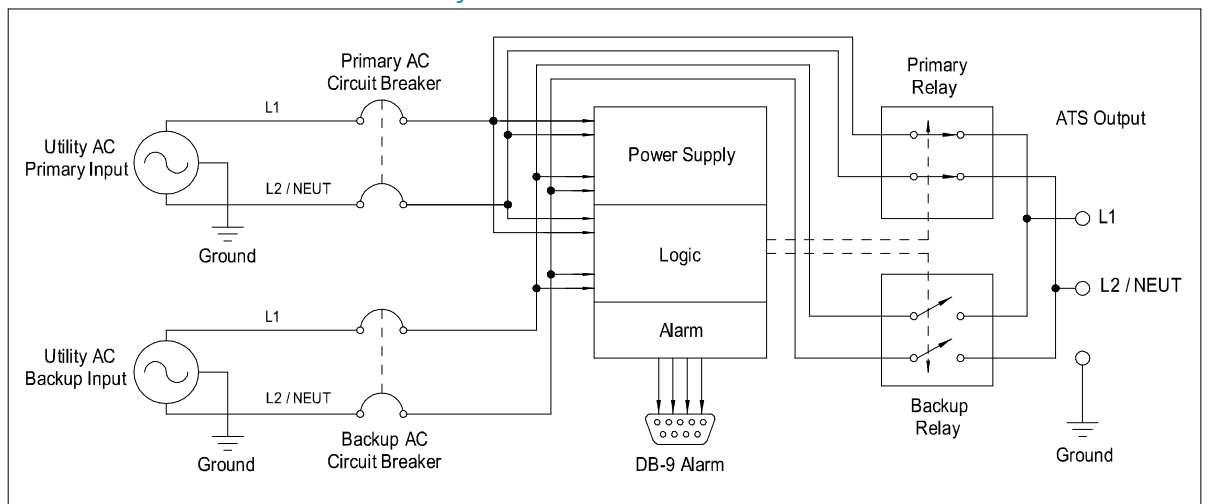
TSi POWER

1103 W Pierce Avenue
Antigo, WI 54409 USA
Tel: + 1-715-623-0636
Fax: + 1-715-623-2426
Toll-Free: 1-800-874-3160
email: sales@tsipower.com
Web: www.tsipower.com

SPECIFICATION	ATS-1000-3900	ATS-1000-5900	ATS-1000-7900
ELECTRICAL			
VA at 230 V	3450	4600	6900
Circuit breaker ratings	15 A	20 A	30 A
Switching technology	Mechanical relays		
INPUT			
Voltage / Current / Voltage range	230 V / 15, 20, 30 A / 196 - 265 V		
Frequency range	47 to 63 Hz \pm 5%, Caution: Both sources must use the same nominal frequency		
Transfer time	8 ms		
Input / output wire size	2.5 mm ²	4 mm ²	6 mm ²
AC input connections	Hardwire terminals (standard Hardwired units must be installed by a qualified electrician)		
OUTPUT			
Voltage / Current	230 V / 15, 20, 30 A		
Load regulation	1 % from no load to full load		
Power efficiency	99% or higher		
AC output connections	Hardwire terminals (standard Hardwired units must be installed by a qualified electrician)		
LED indicators: Green / Yellow / Red	Primary output / Backup output / No primary or backup AC		
Audible alarm	Buzzer beeps when loss of primary or backup AC occurs		
Audible alarm on / off	Enable / Disable switch		
Alarm contacts	Rear-mounted DB-9 connector sends loss of primary / backup AC		
PHYSICAL			
Dimensions: mm	W: 406 mm H: 83 mm D: 305 mm		
Weight: kg	5.45 kg		
Front mount kit for rack: 482.6 / 584.2 609.6 mm Center mount kit for rack: 482.6 / 584.2 / 609.6 mm Wall or floor mount kit	MK-5019A / MK-5023A / MK-5024A MK-5019F / MK-5023F / MK-5024F MK-5000C		
ENVIRONMENTAL			
Ambient temperature	0° to 40° C		
CE COMPLIANCE			
Safety	EN 60950-1		
EMC	Radiated: EN55022-1 Immunity: EN55024		
WARRANTY			
Warranty	Two year limited warranty covers parts and labor		

TSi Power's ongoing product improvement process makes specifications subject to change. Other companies product names herein are for identification purposes only and may be trademarks of their respective companies.

ATS system architecture



TSi POWER

1103 W Pierce Avenue
Antigo, WI 54409 USA
Tel: + 1-715-623-0636
Fax: + 1-715-623-2426
Toll-Free: 1-800-874-3160
email: sales@tsipower.com
Web: www.tsipower.com