

# ATS

## ATS Model

500-3904

15 A  
 3450 VA  
 230 V

500-5904

20 A  
 4600 VA  
 230 V

Two AC inputs - one AC output

Automatic transfer switch

## Automatic transfer switches

The ATS-500 series of automatic transfer switches is designed for applications where two or more autonomous power sources are available. The ATS can be utilized as single or multiple units for different levels of redundancy and was designed to be a cost-effective alternative to the ATS-1000.

### Typical ATS applications

Applications include industrial control, automatic test equipment, oil exploration and utilities. For customers with unique needs, TSi Power offers custom programming to address your unique requirements.

### How the ATS works

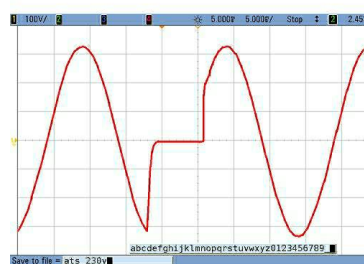
The ATS works with asynchronous or out-of-phase power sources which allows them to be used with a number of different sources. The ATS is fed by two AC power sources. When the primary power source detector circuit senses a loss of power on that circuit, it immediately switches the load over to the backup source in less than eight milliseconds (ms). Upon return of primary power, the ATS will switch back in less than 8 ms.



Front view showing enable/disable audible alarm switch and LED status indicators



Rear view showing compartment covers, DB-9 connector, primary and backup circuit breakers



Transfer between primary and backup power

This is fast enough to be invisible to even the most sensitive equipment.



## Features and Benefits



**TSi POWER**

1103 W Pierce Avenue  
 Antigo, WI 54409 USA  
 Tel: + 1-715-623-0636  
 Fax: + 1-715-623-2426  
 Toll-Free: 1-800-874-3160  
 email: sales@tsipower.com  
 Web: www.tsipower.com

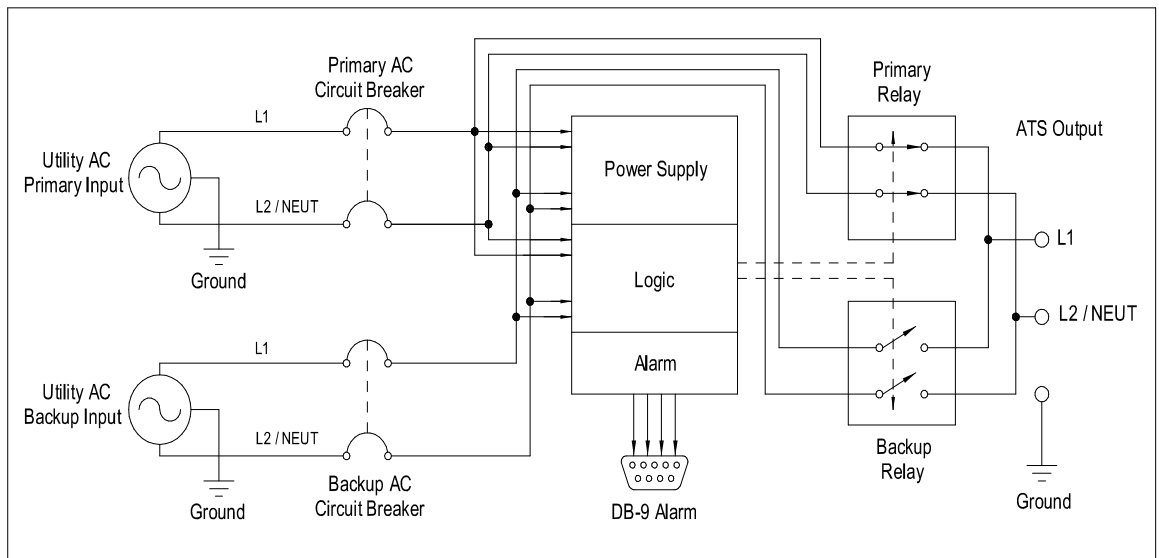
- “ Accepts inputs from asynchronous sources and can be used with most supply voltages, including out-of-phase. ”
- “ Eight ms transfer time between sources is fast enough for even the most sensitive loads. ”
- “ Audible alarm with enable/ disable switch provides for unattended security. ”
- “ LED status indicators for quick visual displays of fault conditions. ”
- “ Higher than 99% efficiency means substantial energy savings (when the ATS is used as a battery-less UPS). ”
- “ Remote monitoring is provided through DB9 port. 70-90% reduction in both CAP-EX and OP-EX (when the ATS is used as a battery-less UPS). ”
- “ Built-in primary and backup rocker style circuit breakers are highly visible and easily accessible on rear of unit. ”
- “ The ATS allows redundant AC power to mission-critical equipment using any combination of UPS, backup generator or other available autonomous AC power sources. ”
- “ Sturdy steel enclosure can be rack, wall or floor mounted with optional mounting brackets. ”

SPECIFICATION	ATS-500-3904	ATS-500-5904
<b>ELECTRICAL</b>		
VA at 230 V:	3450	4600
Circuit breaker:	15 A	20 A
Switching technology	Mechanical relays	
<b>INPUT</b>		
Voltage / Current / Voltage range	230 V / 15, 20 A / 184 - 264 V	
Frequency range	50 / 60 Hz ± 5 %	
Transfer time	8 ms	
AC input connections	IEC60320 C-14	IEC60320 C-20
<b>OUTPUT</b>		
Voltage / Current	230 V / 15, 20 A	
Load regulation	1 % from no load to full load	
Power efficiency	99% or higher	
AC output connections	IEC60320 C-13	IEC60320 C-19
LED indicators: Green / Yellow / Red	Primary output / Backup output/ No primary or backup AC	
Audible alarm	Buzzer beeps when loss of primary or backup AC occurs	
Audible alarm on / off	Enable / Disable switch	
Alarm contacts	Rear-mounted DB-9 connector sends loss of primary / backup AC	
<b>PHYSICAL</b>		
Dimensions: mm	W: 286 mm H: 76 mm D: 254 mm	
Weight: kg	3.63 kg	
Front mount kit for rack: 482.6	MK-4019A	
Center mount kit for rack: 482.6	MK-4019B	
Wall or floor mount kit	MK-4000C	
<b>CE</b>		
Ambient temperature	0° to 40° C	
<b>CE COMPLIANCE</b>		
Safety	EN 60950-1	
EMC	Radiated : EN55022-1 Immunity : EN55024-1	
<b>WARRANTY</b>		
Warranty	Two year limited warranty, parts and labor	

TSi Power's ongoing product improvement process makes specifications subject to change. Other companies product names herein are for identification purposes only and may be trademarks of their respective companies.



### ATS system architecture



**TSi POWER**  
 1103 W Pierce Avenue  
 Antigo, WI 54409 USA  
 Tel: + 1-715-623-0636  
 Fax: + 1-715-623-2426  
 Toll-Free: 1-800-874-3160  
 email: sales@tsipower.com  
 Web: www.tsipower.com