

ATS

Two AC inputs - one AC output | Automatic transfer switch

ATS Model	
500-300x	15 A 208, 220 240 V
500-500x	20 A 208, 220 240 V
500-700x	30 A 208, 220 240 V

Automatic transfer switches

The ATS-500 series of automatic transfer switches is designed for applications where two or more autonomous power sources are available. The ATS can be utilized as single or multiple units for different levels of redundancy and was designed to be a cost-effective alternative to the ATS-1000.



Front view showing enable/disable audible alarm switch and LED status indicators



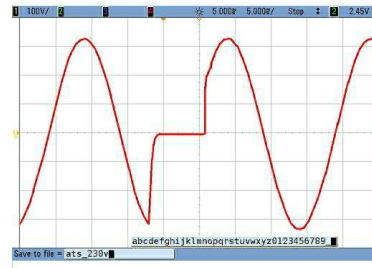
Rear view showing compartment covers, DB-9 connector, primary and backup circuit breakers

Typical ATS applications

Applications include industrial control, automatic test equipment, oil exploration and utilities. For customers with unique needs, TSi Power offers custom programming to address your unique requirements.

How the ATS works

The ATS works with asynchronous or out-of-phase power sources which allows them to be used with a number of different sources. The ATS is fed by two AC power sources. When the primary power source detector circuit senses a loss of power on that circuit, it immediately switches the load over to the backup source in less than eight milliseconds (ms). Upon return of primary power, the ATS will switch back in less than 8 ms.



Transfer between primary and backup power

This is fast enough to be invisible to even the most sensitive equipment.

Features and Benefits

- “ Accepts inputs from asynchronous sources and can be used with most supply voltages, including out-of-phase.
- “ Eight ms transfer time between sources is fast enough for even the most sensitive loads.
- “ Audible alarm with enable/ disable switch provides for unattended security.
- “ LED status indicators for quick visual displays of fault conditions.
- “ Higher than 99% efficiency means substantial energy savings (when the ATS is used as a battery-less UPS).
- “ Remote monitoring is provided through DB9 port.
- “ 70-90% reduction in both CAP-EX and OP-EX (when the ATS is used as a battery-less UPS).
- “ Built-in primary and backup rocker style circuit breakers are highly visible and easily accessible on rear of unit.
- “ The ATS allows redundant AC power to mission-critical equipment using any combination of UPS, backup generator or other available autonomous AC power sources.
- “ Sturdy steel enclosure can be rack, wall or floor mounted with optional mounting brackets.




Intertek



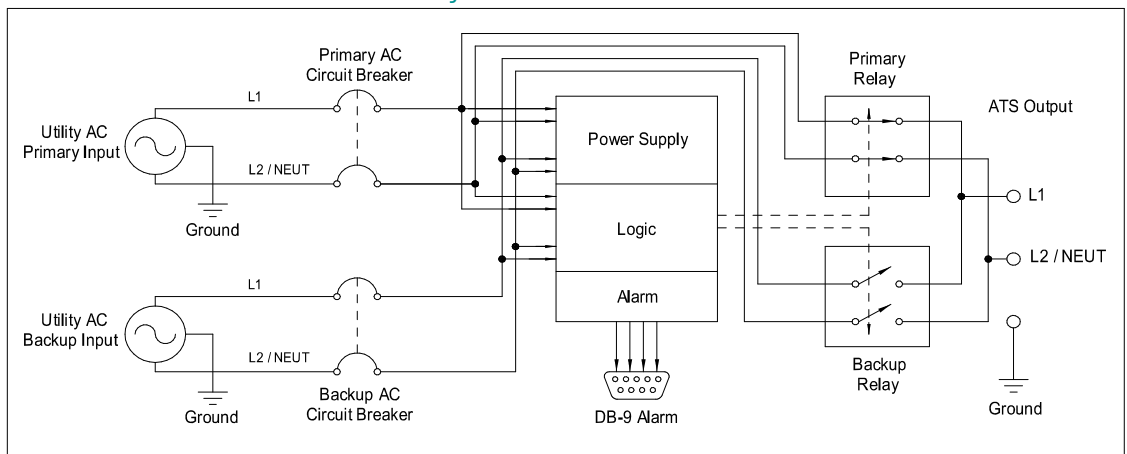
TSi POWER

1103 W Pierce Avenue
 Antigo, WI 54409 USA
 Tel: + 1-715-623-0636
 Fax: + 1-715-623-2426
 Toll-Free: 1-800-874-3160
 email: sales@tsipower.com
 Web: www.tsipower.com

SPECIFICATION	ATS-500-300X	ATS-500-500X	ATS-500-700X
ELECTRICAL			
VA at 208 / 220 / 240 V	3120 / 3300 / 3600	4160 / 4400 / 4800	6240 / 6600 / 7200
Circuit breaker	15 A	20 A	30 A
Switching technology	Mechanical relays		
INPUT			
Voltage / Current	208, 220, 240 V / 15, 20, 30 A		
Voltage range: 208 / 220 / 240	174 - 239, 184 - 264, 184 - 264 V		
Frequency range	50 - 60 Hz ± 5%		
Transfer time	8 ms		
Plug models: -3002 / -3003 / -3004 Plug models: -5002 / -5003 / -5004 Plug models: -7002 / -7003 Plug models: -xxxx	6-15P / L6-15P / IEC 60320 C14 6-20P / L6-20P / IEC 60320 C20 6-30P / L6-30P Other configurations available		
OUTPUT			
Voltage / Current	120 V / 15 A / 20 A / 30 A		
Load regulation	1 % from no load to full load		
Power efficiency	99 % or higher		
Receptacle models: -3002 / -3003 / -3004 Receptacle models: -5002 / -5003 / -5004 Receptacle models: -7002 / -7003 Receptacle models: -xxxx	6-15R / L6-15R / IEC 60320 C13 6-20R / L6-20R / IEC 60320 C19 6-30R / L6-30R Other configurations available		
LED indicators: Green / Yellow / Red	Primary output / Backup output / No primary or backup AC		
Audible alarm	Buzzer beeps when loss of primary or backup AC occurs		
Audible alarm on / off	Enable / Disable switch		
Alarm contacts	Rear-mounted DB-9 connector sends loss of primary / backup AC		
PHYSICAL			
Dimensions: Inches / mm	W: 11.25" / 286 mm H: 3" / 76 mm D: 10" / 254 mm		
Weight: lbs / kg	8 lbs. / 3.63 kg		
Front mount kit for rack: 19" Center mount kit for rack: 19" Wall or floor mount kit	MK-4019A MK-4019B MK-4000C		
ENVIRONMENTAL			
Ambient temperature	0° to 40° C / 32° to 104° F		
AGENCY APPROVALS			
Safety 	UL 60950-1 Issue: 2007/03/27 Ed:2 UL Standard for Safety Information Technology Equipment - Safety - Part 1: General Requirements - CSA C22.2#60950-1 Issued: 2007/03/01 Ed:2 Information Technology Equipment Safety Part 1: General Requirements		
WARRANTY			
Warranty	Two year limited warranty covers parts and labor		

TSi Power's ongoing product improvement process makes specifications subject to change. Other companies product names herein are for identification purposes only and may be trademarks of their respective companies.

ATS system architecture



TSi POWER

1103 W Pierce Avenue
 Antigo, WI 54409 USA
 Tel: + 1-715-623-0636
 Fax: + 1-715-623-2426
 Toll-Free: 1-800-874-3160
 email: sales@tsipower.com
 Web: www.tsipower.com