

ATS

ATS Model

500-3011

15 A
 208, 220, 240 V

500-5011

20 A
 208, 220, 240 V

Two AC inputs - one AC output

Automatic transfer switch

Automatic transfer switches

The ATS-500 series of automatic transfer switches is designed for applications where two or more autonomous power sources are available. The ATS can be utilized as single or multiple units for different levels of redundancy and was designed to be a cost-effective alternative to the ATS-1000.

Typical ATS applications

Applications include industrial control, automatic test equipment, oil exploration and utilities. For customers with unique needs, TSi Power offers custom programming to address your unique requirements.

How the ATS works

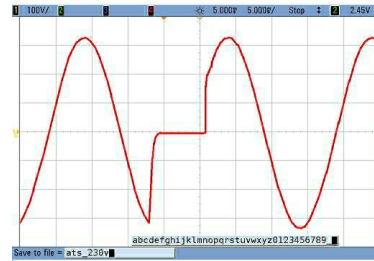
The ATS works with asynchronous or out-of-phase power sources which allows them to be used with a number of different sources. The ATS is fed by two AC power sources. When the primary power source detector circuit senses a loss of power on that circuit, it immediately switches the load over to the backup source in less than eight milliseconds (ms). Upon return of primary power, the ATS will switch back in less than 8 ms.



Front view showing enable/disable audible alarm switch and LED status indicators



Rear view showing compartment covers, DB-9 connector, primary and backup circuit breakers



Transfer between primary and backup power

This is fast enough to be invisible to even the most sensitive equipment.




Features and Benefits



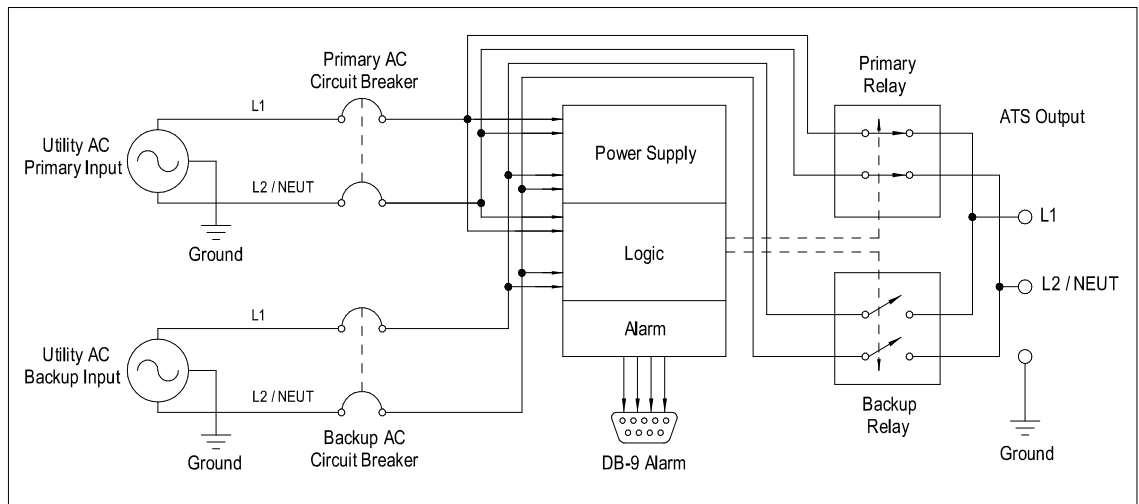
1103 W Pierce Avenue
 Antigo, WI 54409 USA
 Tel: + 1-715-623-0636
 Fax: + 1-715-623-2426
 Toll-Free: 1-800-874-3160
 email: sales@tsipower.com
 Web: www.tsipower.com

- “ Accepts inputs from asynchronous sources and can be used with most supply voltages, including out-of-phase.
- “ Eight ms transfer time between sources is fast enough for even the most sensitive loads.
- “ Audible alarm with enable/ disable switch provides for unattended security.
- “ LED status indicators for quick visual displays of fault conditions.
- “ Higher than 99% efficiency means substantial energy savings (when the ATS is used as a battery-less UPS).
- “ Remote monitoring is provided through DB9 port.
- “ 70-90% reduction in both CAP-EX and OP-EX (when the ATS is used as a battery-less UPS).
- “ Built-in primary and backup rocker style circuit breakers are highly visible and easily accessible on rear of unit.
- “ The ATS allows redundant AC power to mission-critical equipment using any combination of UPS, backup generator or other available autonomous AC power sources.
- “ Sturdy steel enclosure can be rack, wall or floor mounted with optional mounting brackets.

SPECIFICATION	ATS-500-3011	ATS-500-5011
ELECTRICAL		
VA at 208, 220, 240 V:	3120 / 3300 / 3600	4160 / 4400 / 4800
Circuit breaker:	15 A	20 A
Switching technology	Mechanical relays	
INPUT		
Voltage / Current	208, 220, 240 V / 15, 20 A	
Voltage range: 208 / 220 / 240	174 - 239 / 184 - 264 / 184 - 264 V	
Frequency range	50 / 60 Hz ± 5%	
Typical transfer time	8 ms	
Input wire size	14 AWG (2.08mm ²)	12 AWG (3.3 mm ²)
AC input connections	Hardwire terminals (standard Hardwire units must be installed by a qualified electrician)	
OUTPUT		
Voltage / Current	208, 220, 240 V / 15, 20 A	
Load regulation	1% from no load to full load	
Power efficiency	99% or higher	
AC distribution	IEC 60320 C - 13	IEC 60320 C - 19
LED indicators: Green / Yellow / Red	Primary output / Backup output / No primary or backup AC	
Audible alarm	Buzzer beeps when loss of primary or backup AC occurs	
Audible alarm on / off	Enable / Disable switch	
Alarm contacts	Rear-mounted DB-9 connector sends loss of primary / backup AC	
PHYSICAL		
Dimensions: Inches / mm	W: 11.25" / 286 mm H: 3" / 76 mm D: 11.5" / 292 mm	
Weight: lbs / kg	8 lbs / 3.63 kg	
Front mount kit for rack: 19"	MK-4019A	
Center mount kit for rack: 19"	MK-4019B	
Wall or floor mount kit:	MK-4000C	
ENVIRONMENTAL		
Ambient temperature	0° to 40° C / 32° to 104° F	
AGENCY APPROVAL		
Safety		UL 60950-1 Issue: 2007/03/27 Ed:2 UL Standard for Safety Information Technology Equipment - Safety - Part 1: General Requirements - CSA C22.2#60950-1 Issued: 2007/03/01 Ed:2 Information Technology Equipment Safety Part 1: General Requirements
WARRANTY		
Warranty	Two year limited warranty covers parts and labor	

TSi Power's ongoing product improvement process makes specifications subject to change. Other companies product names herein are for identification purposes only and may be trademarks of their respective companies.

ATS system architecture



TSi POWER
 1103 W Pierce Avenue
 Antigo, WI 54409 USA
 Tel: + 1-715-623-0636
 Fax: + 1-715-623-2426
 Toll-Free: 1-800-874-3160
 email: sales@tsipower.com
 Web: www.tsipower.com