

# ATS

ATS Model
800-300x
15 A 208, 220 240 V
800-500x
20 A 208, 220 240 V

Two AC inputs - one AC output | Automatic transfer switch

## Automatic transfer switches

The ATS-800 series of automatic transfer switches is designed for applications where two or more autonomous power sources are available. The ATS can be utilized as single or multiple units for different levels of redundancy. The ATS-800 is specifically designed as a low-cost ATS with limited rack space thanks to its 1-RU height.



Front view showing enable/disable audible alarm switch and LED status indicators

### Typical ATS applications

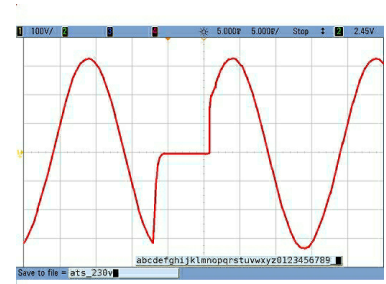
Applications include industrial control, automatic test equipment, oil exploration and utilities. For customers with unique needs, TSi Power offers custom programming to address your unique requirements.



Rear view showing IEC Style plugs & receptacles, DB-9 connector, primary and backup circuit breakers

### How the ATS works

The ATS works with asynchronous or out-of-phase power sources which allows them to be used with a number of different sources. The ATS is fed by two AC power sources. When the primary power source detector circuit senses a loss of power on that circuit, it immediately switches the load over to the backup source in less than eight milliseconds (ms). Upon return of primary power, the ATS will switch back in less than 8 ms.




TRANSITION BETWEEN primary and backup power

## Features and Benefits

- Accepts inputs from asynchronous sources and can be used with most supply voltages, including out-of-phase.
- Eight ms transfer time between sources is fast enough for even the most sensitive loads.
- Audible alarm with enable/ disable switch provides for unattended security.
- LED status indicators for quick visual displays of fault conditions.
- Higher than 99% efficiency means substantial energy savings (when the ATS is used as a battery-less UPS).
- Remote monitoring is provided through DB9 port.
- 70-90% reduction in both CAP-EX and OP-EX (when the ATS is used as a battery-less UPS).
- Built-in primary and backup rocker style circuit breakers are highly visible and easily accessible on rear of unit.
- The ATS allows redundant AC power to mission-critical equipment using any combination of UPS, backup generator or other available autonomous AC power sources.
- Sturdy steel enclosure is rack-mountable without the need for special brackets.

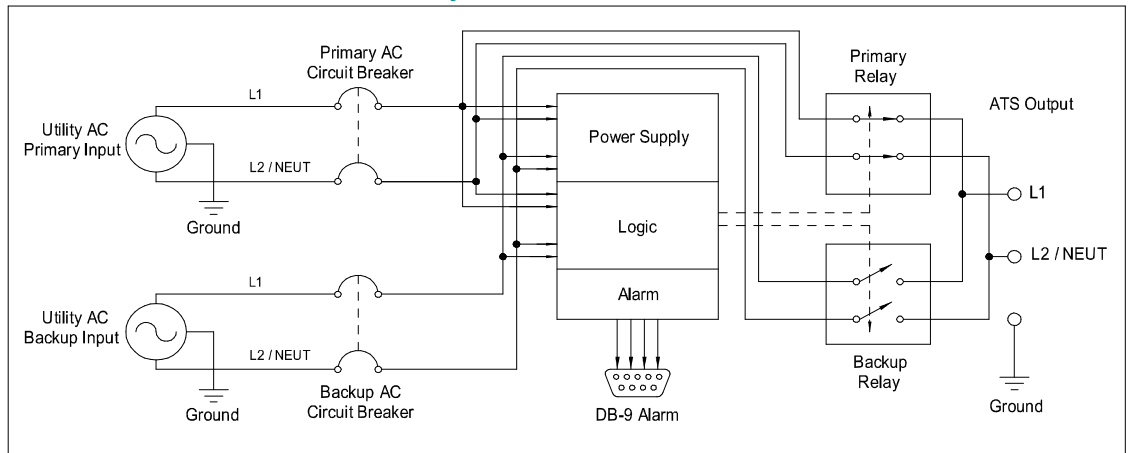


1103 W Pierce Avenue  
 Antigo, WI 54409 USA  
 Tel: + 1-715-623-0636  
 Fax: + 1-715-623-2426  
 Toll-Free: 1-800-874-3160  
 email: sales@tsipower.com  
 Web: www.tsipower.com

SPECIFICATION	ATS-800-300X	ATS-800-500X
<b>ELECTRICAL</b>		
VA at 208 / 220 / 240 V	3120 / 3300 /3600	4160 / 4400 / 4800
Circuit breaker	15 A	20 A
Switching technology	Mechanical relays	
<b>INPUT</b>		
Voltage / Current	208, 220, 240 V / 15, 20 A	
Voltage range: 208 / 220 / 240	174 - 239, 184 - 264, 184 - 264 V	
Frequency range	50 / 60 Hz ± 5%	
Transfer time	8 ms	
Plug models: -3002 / -3003 / -3004 Plug models: -5002 / -5003 / -5004 Plug models: -xxxx	6-15P / L6-15P / IEC 60320 C14 6-20P / L6-20P / IEC 60320 C20 Other configurations available	
<b>OUTPUT</b>		
Voltage / Current	120 V / 15, 20 A	
Load regulation	1 % from no load to full load	
Power efficiency	99 % or higher	
Receptacle models: -3002 / -3003 / -3004 Receptacle models: -5002 / -5003 / -5004 Receptacle models: -xxxx	6-15R / L6-15R / IEC 60320 C13 6-20R / L6-20R / IEC 60320 C19 Other configurations available	
LED indicators: Green / Yellow / Red	Primary output / Backup output / No primary or backup AC	
Audible alarm	Buzzer beeps when loss of primary or backup AC occurs	
Audible alarm on / off	Enable / Disable switch	
Alarm contacts	Rear-mounted DB-9 connector sends loss of primary / backup AC	
<b>PHYSICAL</b>		
Dimensions: Inches / mm	W: 16.63" / 422 mm H: 1.75" / 44 mm D: 9" / 229 mm	
Weight: lbs / kg	8 lbs. / 3.63 kg	
Integral 19" Front Rack-Mount	Standard	
<b>ENVIRONMENTAL</b>		
Ambient temperature	0° to 40° C / 32° to 104° F	
<b>AGENCY APPROVALS</b>		
Safety  Intertek	UL 60950-1 Issue: 2007/03/27 Ed:2 UL Standard for Safety Information Technology Equipment - Safety - Part 1: General Requirements - CSA C22.2#60950-1 Issued: 2007/03/01 Ed:2 Information Technology Equipment Safety Part 1: General Requirements	
<b>WARRANTY</b>		
Warranty	Two year limited warranty covers parts and labor	

TSi Power's ongoing product improvement process makes specifications subject to change. Other companies product names herein are for identification purposes only and may be trademarks of their respective companies.

### ATS system architecture



**TSi POWER**  
 1103 W Pierce Avenue  
 Antigo, WI 54409 USA  
 Tel: + 1-715-623-0636  
 Fax: + 1-715-623-2426  
 Toll-Free: 1-800-874-3160  
 email: sales@tsipower.com  
 Web: www.tsipower.com