

# ATS

ATS Model	
800-3000	15 A 208, 220, 240 V
800-5000	20 A 208, 220, 240 V
800-7000	30 A 208, 220, 240 V

Two AC inputs - one AC output | Automatic transfer switch

## Automatic transfer switches

The ATS-800 series of automatic transfer switches is designed for applications where two or more autonomous power sources are available. The ATS can be utilized as single or multiple units for different levels of redundancy. The ATS-800 is specifically designed as a low-cost alternative to the ATS-1000 with limited rack space thanks to its 1-RU height.



Front view showing enable/disable audible alarm switch and LED status indicators



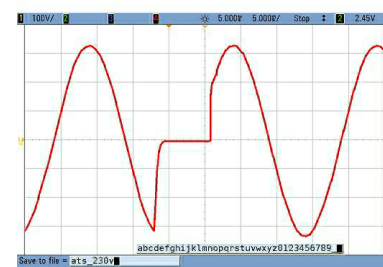
Rear view showing hardwire cover, DB-9 connector, primary and backup circuit breakers

### Typical ATS applications

Applications include industrial control, automatic test equipment, oil exploration and utilities. For customers with unique needs, TSi Power offers custom programming to address your unique requirements.

### How the ATS works

The ATS works with asynchronous or out-of-phase power sources which allows them to be used with a number of different sources. The ATS is fed by two AC power sources. When the primary power source detector circuit senses a loss of power on that circuit, it immediately switches the load over to the backup source in less than eight milliseconds (ms).



Transfer between primary and backup power

Upon return of primary power, the ATS will switch back in less than 8 ms. This is fast enough to be invisible to even the most sensitive equipment.

## Features and Benefits

- Accepts inputs from asynchronous sources and can be used with most supply voltages, including out-of-phase.
- Eight ms transfer time between sources is fast enough for even the most sensitive loads.
- Audible alarm with enable/ disable switch provides for unattended security.
- LED status indicators for quick visual displays of fault conditions.
- Higher than 99% efficiency means substantial energy savings (when the ATS is used as a battery-less UPS).
- Remote monitoring is provided through DB9 port.
- 70-90% reduction in both CAP-EX and OP-EX (when the ATS is used as a battery-less UPS).
- Built-in primary and backup rocker style circuit breakers are highly visible and easily accessible on rear of unit.
- The ATS allows redundant AC power to mission-critical equipment using any combination of UPS, backup generator or other available autonomous AC power sources.
- Sturdy steel enclosure is rack-mountable without the need for special brackets.



Intertek



**TSi POWER**  
 1103 W Pierce Avenue  
 Antigo, WI 54409 USA  
 Tel: + 1-715-623-0636  
 Fax: + 1-715-623-2426  
 Toll-Free: 1-800-874-3160  
 email: sales@tsipower.com  
 Web: www.tsipower.com

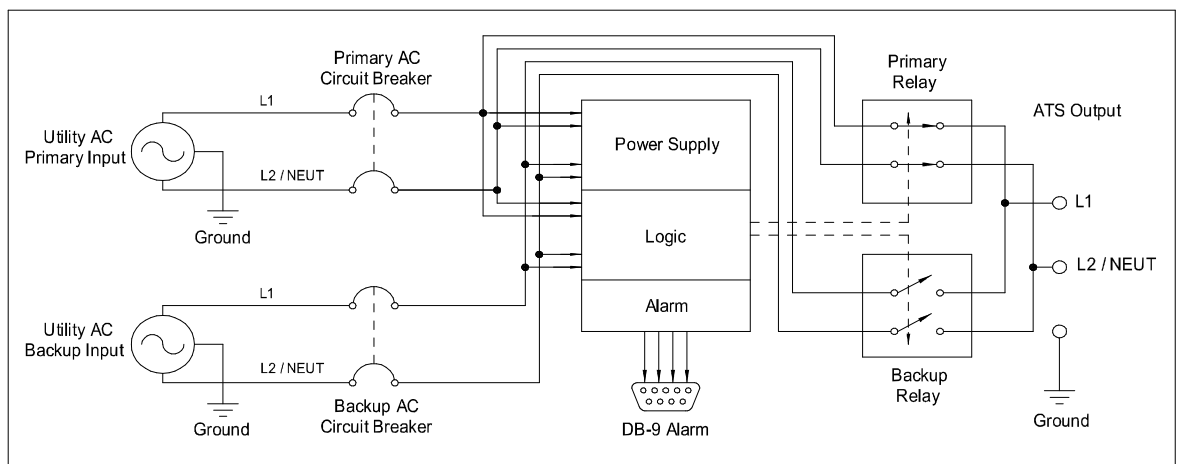
**Specifications**

ATS - 800 - Hardwire, 208, 220, 240 V - 15, 20, 30 A

SPECIFICATION	ATS-800-3000	ATS-800-5000	ATS-800-7000
<b>ELECTRICAL</b>			
VA at 208, 220, 240 V:	3120 / 3300 / 3600	4160 / 4400 / 4800	6240 / 6600 / 7200
Circuit breaker:	15 A	20 A	30 A
Switching technology	Mechanical relays		
<b>INPUT</b>			
Voltage / Current	208, 220, 240 V / 15, 20, 30 A		
Voltage range: 208 / 220 / 240	174 - 239 V / 184 - 264 V / 184 - 264 V		
Frequency range	47 to 63 Hz $\pm$ 5%, Caution: Both sources must use same nominal frequency		
Typical transfer time	8 ms		
Input / output wire size	14 AWG (2.08 mm <sup>2</sup> )	12 AWG (3.3 mm <sup>2</sup> )	10 AWG (5.26 mm <sup>2</sup> )
AC input and output connections	Hardwire terminals (standard Hardwired units must be installed by a qualified electrician)		
<b>OUTPUT</b>			
Voltage / Current	208, 220, 240 V / 15, 20, 30 A		
Load regulation	1% from no load to full load		
Power efficiency	99% or higher		
AC distribution	Hardwire terminals (standard Hardwired units must be installed by a qualified electrician)		
LED indicators: Green / Yellow / Red	Primary output / Backup output / No primary or backup AC		
Audible alarm	Buzzer beeps when loss of primary or backup AC occurs		
Audible alarm on / off	Enable / Disable switch		
Alarm contacts	Rear-mounted DB-9 connector sends loss of primary / backup AC		
<b>PHYSICAL</b>			
Dimensions: Inches / mm	W: 16.63" / 422 mm H: 1.75" / 76 mm D: 10.5" / 267 mm		
Weight: lbs / kg	8 lbs / 3.63 kg		
Integral 19" Front Rack-Mount	Standard		
<b>ENVIRONMENTAL</b>			
Ambient temperature	0° to 40° C / 32° to 104° F		
<b>AGENCY APPROVAL</b>			
Safety	UL 60950-1 Issue: 2007/03/27 Ed:2 UL Standard for Safety Information Technology Equipment - Safety - Part 1: General Requirements - CSA C22.2#60950-1 Issued: 2007/03/01 Ed:2 Information Technology Equipment Safety Part 1: General Requirements		
<b>WARRANTY</b>			
Warranty	Two year limited warranty covers parts and labor		

TSi Power's ongoing product improvement process makes specifications subject to change. Other companies product names herein are for identification purposes only and may be trademarks of their respective companies.

## ATS system architecture



Copyright © 2015 TSi Power Corp.

SP80047 - November, 2015



Intertek



1103 W Pierce Avenue  
Antigo, WI 54409 USA  
Tel: +1-715-623-0636  
Fax: +1-715-623-2426  
Toll-Free: 1-800-874-3160  
email: sales@tsipower.com  
Web: www.tsipower.com