



Pure sine wave

wide input voltage window

voltage regulation

**XUPs model**

**2000**

2000 VA  
1400 watts  
120 volts  
10 min @ 1400W  
25 min @ 700 W

**XBat-48V-36Ah**

1 module adds  
60 min @ 1400W  
120 min @ 700 W

## Rack-mountable sine wave UPS with AVR and a wide input voltage window

These heavy-duty UPS are housed in two rugged steel rack-mountable enclosures. One is the UPS electronic module, the other is the battery module. The XUPs offers line-interactive automatic voltage regulation, over/under-voltage protection, surge protection with heavy duty noise filtering, communications capability and optional extended battery backup.

### Key XUPs-2000 benefits

The XUPs design, with its microprocessor-controlled 20 kHz sine wave inverter, reduces the number of solid-state devices required for power conversion, thereby yielding a high level of reliability.

Built-in automatic voltage regulation enables a wide input voltage window within which the power is delivered without having to drain or exercise the batteries, thereby ensuring long battery life. A fan exhausts hot air from the enclosure to ensure optimal temperature.

Standard run-times for the XUPs-2000 are approximately 10 minutes at a 1400 watts load, and 25 minutes at a 700 watts load. A built-in Anderson SB50 connector enables adding extra battery cabinets for longer times.

### How the XUPs works

The XUPs Series UPS provides automatic voltage regulation with surge protection and noise filtering, overvoltage protection with a threshold of 135 vac, and undervoltage protection with a threshold of 95 vac. Upon a brownout, overvoltage, or loss of power, the XUPs will transfer to battery power in less than 4 milliseconds, enabling uninterrupted operation of computer, telecom, surveillance, signaling or other electronic systems.

A comprehensive array of power, battery level, voltage level, and inverter status LED indicators is provided for visual assessment of UPS status. A DB-9 port is provided for communication using RS-232 or relay dry contact signals. The power on/off switch is recessed to prevent accidental turn on or off.



Note: XUPs-2000 shown

### Typical XUPs applications

This heavy duty UPS system is ideal for protection of computers, WiFi/GSM/CDMA/satellite base stations, wireless communications/perimeter surveillance and security/gate control systems, LED traffic light/roadway display systems and industrial remote terminal units (RTUs).

### Key XUPs features

- Pure sine wave inverter output
- Over/under-voltage protection
- Rack-mountable with optional rack-mount kit
- Heavy-duty surge protection and noise filtering
- Automatic voltage regulation with wide voltage input window enhances long battery life
- Comprehensive array of status bargraphs for voltage, load and battery levels
- SNMP compatible via RS-232 port with optional SNMP adapter
- Both RS-232 (via DB9) and relay contact signals are provided
- Two year warranty on electronics
- One year warranty on batteries



**TSi Power Corporation**  
1103 West Pierce Ave  
Antigo, WI 54409 USA  
800 874 3160 (USA only)  
Phone +1 715 623 0636  
Fax +1 715 623 2426  
sales@tsipower.com  
www.tsipower.com  
Copyright © 2008 TSi

# XUPs



(XUPS-2000 shown)

Rack-mountable heavy-duty line-interactive UPS with automatic voltage regulation

TSi's ongoing product improvement process makes specifications subject to change. Other companies product names herein are for identification purposes only, and may be trademarks of their respective companies.



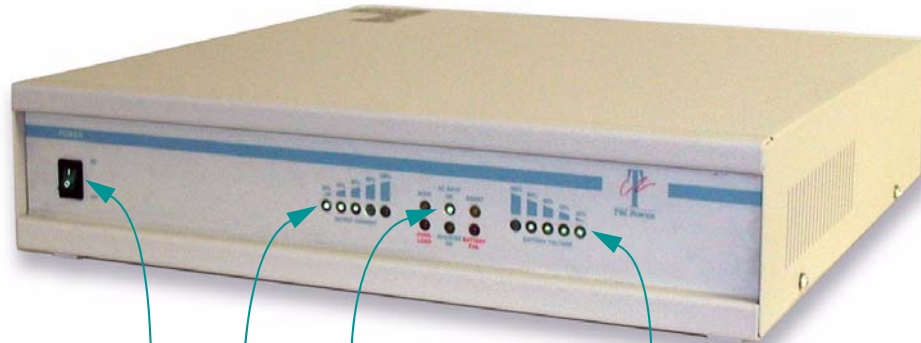
**TSi Power Corporation**  
1103 West Pierce Ave  
Antigo, WI 54409 USA  
800 874 3160 (USA only)  
Phone +1 715 623 0636  
Fax +1 715 623 2426  
sales@tsipower.com  
www.tsipower.com  
Copyright © 2008 TSi

Specification	XUPs-2000 and XBat-48V-36Ah
<b>Electrical</b>	
Capacity in VA (watts)	2000 VA (1400 watts)
UPS topology	High efficiency line-interactive with 20 kHz PWM sine wave inverter.
<b>Input</b>	
Nominal voltage	120 volts ac
Input current	15 amperes maximum @ 120 vac
Operating voltage, Freq.	95–135 vac without using batteries. 47–63Hz.
Input receptacle/plug	IEC320 input receptacle. Line cord with NEMA 5-15P plug.
<b>Output</b>	
Nominal voltage	115 volts ac
Voltage regulation	115 vac +/-8% upon changes in line or load.
Maximum output	1400 watts (115 vac, 12.2 amperes)
Output waveform	Pure sine wave, less than 3% THD with linear load.
Power efficiency	97 %, under full load conditions.
Power on/off switch	Recessed on/off rocker style power switch.
Transfer time	<4 milliseconds
XUPs-2000 backup time	10 minutes @ 1400 watts load, 25 minutes @ 700 watts load.
XUPs-2000 batteries	48V, 12Ah maintenance-free sealed lead-acid batteries.
XUPs-2000 recharge	6 hours to 90% capacity after full discharge. (XBat time is additive).
XBat-48V-36Ah backup	60 minutes @ 1400 watts load, 120 minutes @ 700 watts load.
XBat-48V-36Ah recharge	12 hrs to 90% capacity after full discharge (per each XBat-48V-36Ah).
For longer backup times: up to four XBat-48V-36Ah modules can be added	Up to four total matching XBat-48V-36Ah battery packs can be daisy-chain connected to one XUPs-2000 via Anderson SB50 connectors. (E.g. with four XBat-48V-36Ah battery modules, battery runtime will be approx. 4.2 hours at 1400W load, and 8.5 hours for a 700W load.) <i>Note: OEMs can also add custom batteries, please call to discuss.</i>
SNMP interface for UPS monitoring and automatic shutdown configuration (optional)	Using an external SNMP adapter, the RS-232 signals (from the DB-9 female connector) from the UPS can be converted to 10M/100M fast Ethernet signals (and RJ-45 connection) for external UPS monitoring/configuration capability using Telnet, web browsers, or NMS (most such external devices support TCP/IP, UDP, SNMP, Telnet, SNMP, PPP, HTTP & SMTP protocols).
Surge protection	Ac input surge/noise filter (using inductor, capacitor and MOV).
Status indicators	5 LED load level indicator: 0 to 100% of rated load. 5 LED battery charge level indicator from 0 to 100% of rated charge. 3 LED indicators for: in boost, buck or normal mode. 3 LED indicators for: inverter on/off, battery fault and overload.
Output receptacles	Eight standard NEMA 5-15R receptacles. For others please call.
<b>Physical</b>	
Dimensions - 2000: XBat-48V-36Ah cabinet:	429mm (16.9") wide x 559mm (22") deep x 115mm (4.5") high 429mm (16.9") wide x 559mm (22") deep x 115mm (4.5") high
Weights	XUPs-2000: 36 kg (80 lbs). XBat-48V-36Ah module: 59 kg (130 lbs)
Housing	Painted steel enclosure with rubber feet.
Optional rack/cabinet mounting kits	Front pair: 19" rack: # MK-8019A, 23" rack: #MK-8023A Center pair: 19" rack: # MK-8019F, 23" rack: #MK-8023F
<b>Safety</b>	
Agency approvals	Designed to meet UL, cUL and IEC safety standards.
<b>Environmental</b>	
Operating temperature	0° to 40°C (32° to 104°F). 10 to 90% relative humidity (non-condensing).
<b>Warranty</b>	
Warranty	Two year limited warranty, parts and labor. One year battery warranty.



Please note: this page shows only the primary XUPs-2000  
 The matching XBat-48V-36Ah battery module has the same  
 dimensions as the XUPs-2000.

## Front-right view



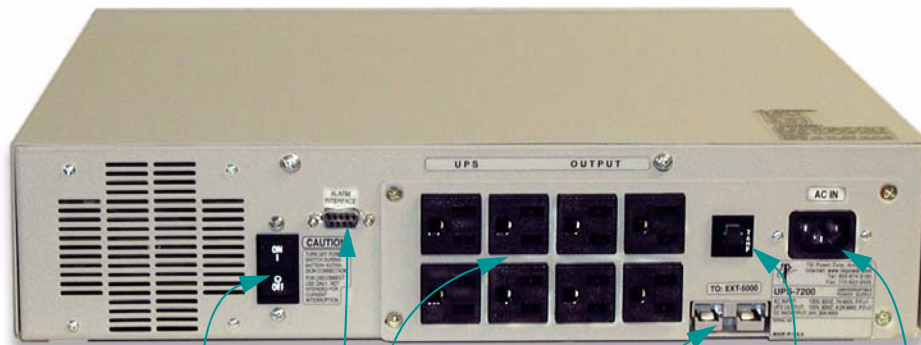
recessed  
 on/off switch

UPS output current:  
 three of five LEDs  
 showing XUPs is  
 60% loaded

- ac input on LED lit
- buck mode
- boost mode
- overload
- inverter on/off
- battery failure

battery voltage level:  
 four of five LEDs  
 showing batteries at  
 80% charge status

## Rear view



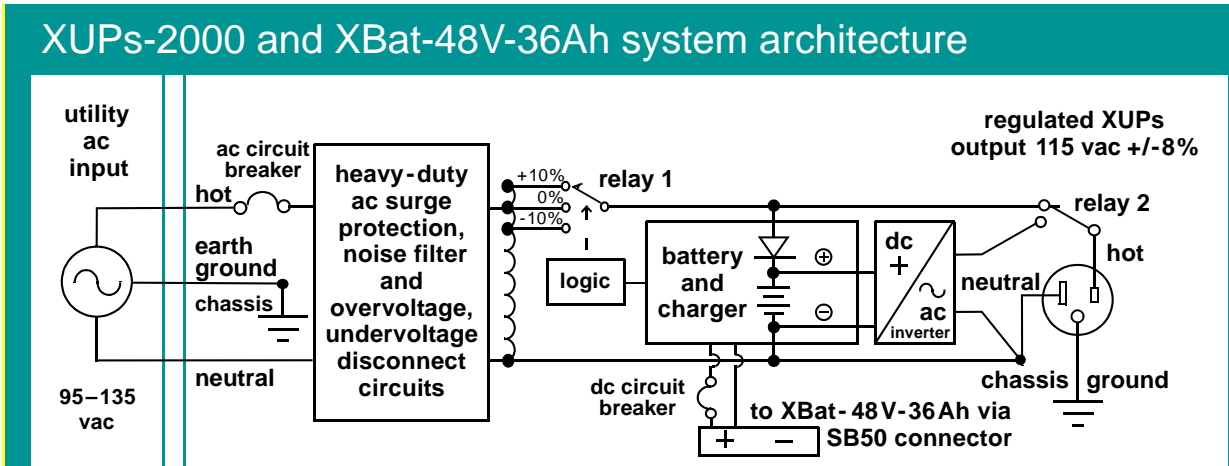
40A dc circuit breaker  
 DB-9 communication port  
 provides both RS-232 and  
 relay alarm contact signals  
 (or SNMP using optional  
 SNMP adapter)

output ac via eight  
 NEMA 5-15R  
 receptacles  
 dc Anderson SB-50  
 battery connector  
 connects to the  
 XBat-48-36Ah battery  
 module (up to a total of  
 four XBat-48V-36Ah  
 modules may be daisy-  
 chain connected to an  
 XUPs-2000)

input 15A ac  
 circuit breaker  
 input ac  
 IEC 320 receptacle  
 for 6 foot cord with  
 NEMA 5-15P plug  
 (also accepts other  
 cord/plug sets)



**TSi Power Corporation**  
 1103 West Pierce Ave  
 Antigo, WI 54409 USA  
 800 874 3160 (USA only)  
 Phone +1 715 623 0636  
 Fax +1 715 623 2426  
 sales@tsipower.com  
 www.tsipower.com  
 Copyright © 2008 TSi



## XUPs-2000 and XBat-48V-36Ah

Rack-mountable heavy-duty UPS and battery module with line-interactive automatic voltage regulation and wide input voltage window

- Battery backup times with XUPs-2000:  
10 minutes @ 1400 watts load  
25 minutes @ 700 watts load
- A built-in Anderson SB50 connector enables adding extra battery packs for longer times
- Up to four XBat-48V-36Ah battery modules may be connected to one XUPs-2000
- Battery backup times with four XBat-48V-36Ah modules:  
4.2 hours @ 1400 watts load  
**8.5 hours @ 700 watts load**
- 115 vac +/- 8% output from 95–135 vac input without going to batteries
- Rack-mountable metal cabinet allows for rack-mounting using optional mounting kits
- Less than 4 ms transfer time
- SNMP compatible with optional SNMP adapter
- 48 vdc battery bus
- Microprocessor-controlled 20 kHz PWM sine wave inverter



**TSi Power Corporation**  
1103 West Pierce Ave  
Antigo, WI 54409 USA  
800 874 3160 (USA only)  
Phone +1 715 623 0636  
Fax +1 715 623 2426  
sales@tsipower.com  
www.tsipower.com  
Copyright © 2008 TSi