



| Three Phase 6 kVA - 173 kVA |



The VRP is a highly sophisticated automatic precision AC voltage regulator that ensures maintenance free operation of electronic equipment over a very wide input voltage range.

TSI Power's VRP series is designed to provide high precision power with industry leading response time of one-half line cycle (10 ms or less).

Features and Benefits

Standby operation minimizes interaction with existing loads or power distribution systems, while being compatible with most loads

Wide input range ($\pm 20\%$)* and precise output regulation ($\pm 3\%$) provides superior performance.

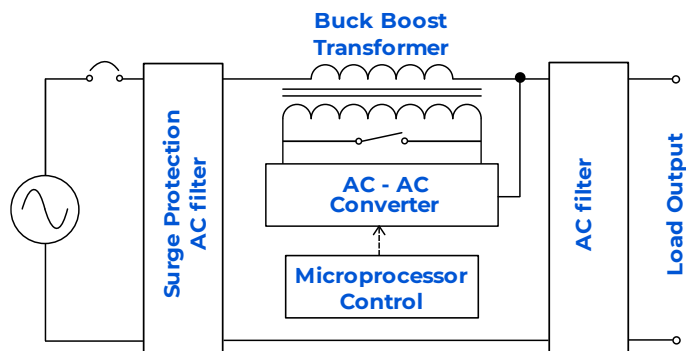
Various AC input/output connector type wiring terminals facilitate specific applications.

Internal surge protection and noise filtering assures trouble-free operation.

AC input circuit breakers and load over-current protection prevents costly equipment damage.

Customizable for unique and challenging applications.

How the VRP works



The high frequency Insulated Gate Bi-polar Transistor (IGBT) driven converter takes the incoming AC power, measures it against the nominal voltage reference and adds or subtracts voltage to achieve a precisely regulated output voltage. The automatic bypass will be activated when there is a fault condition. Green LEDs are used to indicate Normal (regulating mode) operation.

***Note:** Speciality high power modules have a reduced input range of 15% and 17%.

Model Number Selection Guide

VRP- -

Rated frequency / Voltage regulation

Frequency / Regulation	Suffix
50/60 Hz/±20%	A
60 Hz/±20%	B
50/60 Hz/±17%	C
60 Hz/±17%	D
50/60 Hz/±15%	E
60 Hz/±15%	F

(For 120 V_{L-N} and 277 V_{L-N} only)

(For 120 V_{L-N} and 277 V_{L-N} only)

(For 120 V_{L-N} and 277 V_{L-N} only)

Input / Output wiring connections*

Wiring connection	Suffix
Hardwired	11
NEMA twist lock	22

Rated voltage (L-N/L-L)

Voltage	Suffix
120 V/208 V	C
127 V/220 V	D
220 V/380 V	E
230 V/400 V	F
240 V/415 V	G
266 V/460 V	I
277 V/480 V	J

Rated capacity in kVA

208 V	220 V	380 V	400 V	415 V	460 V	480 V
6	6	5	6	6	6	7
9	9	8	8	9	10	10
14	15	16	17	17	19	20
23	24	21	22	23	26	27
29	30	26	28	29	32	33
54	57	42	44	46	51	53
65	69	48	50	52	57	60
75	79	53	55	58	64	66
		62	65	68	75	79
		99	104	108	120	125
		119	125	130	144	150
		137	144	150	166	173

Example:

Model VRP-20k-J11B will have rated capacity of 20 kVA, rated voltage of three phase 480V, with hard wired input and output connectors, rated frequency of 60 Hz, and regulation of ±20% from rated voltage.

***Note 1:** For custom build models, please contact TSI Power. Contact information can be found on the last page of this document.

Technical Specifications*

[208 V_{L-L} / 120 V_{L-N}]

Model	VRP-6k-C11B	VRP-9k-C11B
Electrical		
Capacity / (kVA)	5.76	8.64
Design topology	High-performance PWM voltage regulator operating at 20 kHz	
Voltage correction time	8 ms (½ line cycle)	
AC Input		
Input voltage range	Three phase wye 208 V _{L-L} / 120 V _{L-N} ± 20% (96 – 144 V _{L-N})	
Frequency	60 Hz	
Input circuit breaker rating	20 A	30 A
AC Input connector	Hardwired	
Surge protection	Three-stage surge protector protects both the VRP and connected equipment from surges & spikes	
AC Output		
Output voltage	208 V _{L-L} / 120 V _{L-N} ± 3%	
Power efficiency	97% typical (for load of 50 to 100%)	
Maximum rated output current	16.0 A	24.0 A
System status indicator	Green LED ON-Normal operation - Yellow LED ON-Bypass operation Red LED ON-Fault	
Output connector	Hard-wired	
Physical		
Dimension†	Type 1	
Weight	220 lbs (100 kg)	230 lbs (104 kg)
Mounting	Casters standard, optional C-channel floor mounting kit	
Max wire size (hard-wired)	8 AWG (10 mm ²)	
Environmental		
Operating temperature range	32° to +104° F (0° to +40° C)	
Operating humidity range	10 to 90% relative humidity (non-condensing)	
Operating altitude range	0 to 2,000 meters (6,600 ft) above sea level (without derating output power)	
Storage temperature range	-4° to +140° F (-20° to +60°C)	
Safety		
Agency approvals	Designed to meet UL 60950 (UL/cUL listing pending)	
Warranty		
Two-year limited warranty on parts and labor		

*Note 1: For continuous product improvement, specifications are subject to change without notice.

†Note 2: Refer to Page 29 and Page 30 for cabinet illustrations and detailed dimensions.

Technical Specifications*

[208 V_{L-L} / 120 V_{L-N}]

Model	VRP-14k-C11B	VRP-23k-C11B	VRP-29k-C11B	VRP-54k-C11B
-------	--------------	--------------	--------------	--------------

Electrical

Capacity / (kVA)	14.4	23.0	28.8	54.1
Design topology	High-performance PWM voltage regulator operating at 20 kHz			
Voltage correction time	8 ms (½ line cycle)			

AC Input

Input voltage range	Three phase wye 208 V _{L-L} / 120 V _{L-N} ± 20% (96 – 144 V _{L-N})			
Frequency	60 Hz			
Input Circuit breaker rating	50 A	80 A	100 A	None
AC Input connector	Hardwired			
Surge protection	Three-stage surge protector protects both the VRP and connected equipment from surges & spikes			

AC Output

Output voltage	208 V _{L-L} / 120 V _{L-N} ± 3%			
Power efficiency	97% typical (for load of 50 to 100%)			
Maximum rated output current	40.0 A	64.0 A	80.0 A	150 A
System status indicator	Green LED ON-Normal operation - Yellow LED ON-Bypass operation Red LED ON-Fault			
Output connector	Hard-wired			

Physical

Dimension†	Type 1			Type 2
Weight	260 lbs (118 kg)	325 lbs (147 kg)	340 lbs (154 kg)	600 lbs (272 kg)
Mounting	Casters standard, optional C-channel floor mounting kit			
Max wire size (hard-wired)	8 AWG (10 mm ²)	2 AWG (35 mm ²)	2 AWG (35 mm ²)	4/0 AWG (95 mm ²)

Environmental

Operating Temperature Range	32° to +104° F (0° to +40° C)			
Operating Humidity Range	10 to 90% relative humidity (non-condensing)			
Operating altitude range	0 to 2,000 meters (6,600 ft) above sea level (without derating output power)			
Storage temperature range	-4° to +140° F (-20° to +60°C)			

Safety

Agency approvals	Designed to meet UL 60950 (UL/cUL listing pending)			
------------------	--	--	--	--

Warranty

Two-year limited warranty on parts and labor

***Note 1:** For continuous product improvement, specifications are subject to change without notice.

†**Note 2:** Refer to Page 29 and Page 30 for cabinet illustrations and detailed dimensions.

Technical Specifications*

[208 V_{L-L} / 120 V_{L-N}]

Model	VRP-65k-C11D	VRP-75k-C11F
Electrical		
Capacity / (kVA)	65.0	74.9
Design topology	High-performance PWM voltage regulator operating at 20 kHz	
Voltage correction time	8 ms (½ line cycle)	
AC Input		
Input voltage range	Three phase wye 208 V _{L-L} / 120 V _{L-N} ± 17% (99.6 – 140 V _{L-N})	Three phase wye 208 V _{L-L} / 120 V _{L-N} ± 15% (102 – 138 V _{L-N})
Frequency	60 Hz	
Input circuit breaker rating	None	None
AC Input connector	Hardwired	
Surge protection	Three-stage surge protector protects both the VRP and connected equipment from surges & spikes	
AC Output		
Output voltage	208 V _{L-L} / 120 V _{L-N} ± 3%	
Power efficiency	97% typical (for load of 50 to 100%)	
Maximum rated output current	181 A	208 A
System status indicator	Green LED ON-Normal operation – Yellow LED ON-Bypass operation Red LED ON-Fault	
Output connector	Hard-wired	
Physical		
Dimension†	Type 2	
Weight	900 lbs (408 kg)	900 lbs (408 kg)
Mounting	Casters standard, optional C-channel floor mounting kit	
Max wire size (hard-wired)	300 kcmil (150mm ²)	
Environmental		
Operating temperature range	32° to +104° F (0° to +40° C)	
Operating humidity range	10 to 90% relative humidity (non-condensing)	
Operating altitude range	0 to 2,000 meters (6,600 ft) above sea level (without derating output power)	
Storage temperature range	-4° to +140° F (-20° to +60°C)	
Safety		
Agency approvals	Designed to meet UL 60950 (UL/cUL listing pending)	
Warranty		
Two-year limited warranty on parts and labor		

***Note 1:** For continuous product improvement, specifications are subject to change without notice.

†**Note 2:** Refer to Page 29 and Page 30 for cabinet illustrations and detailed dimensions.

Technical Specifications*

[220 V_{L-L} / 127 V_{L-N}]

Model	VRP-6k-D11B	VRP-9k-D11B	VRP-9k-D22B
Electrical			
Capacity / (kVA)	6.10	9.14	9.14
Design topology	High-performance PWM voltage regulator operating at 20 kHz		
Voltage correction time	8 ms (½ line cycle)		
AC Input			
Input voltage range	Three phase wye 220 V _{L-L} / 127 V _{L-N} ± 20% (102 – 152 V _{L-N})		
Frequency	60 Hz		
Input circuit breaker rating	20 A	30 A	30 A
AC Input connector	Hardwired	Hardwired	NEAM L21-30P
Surge protection	Three-stage surge protector protects both the VRP and connected equipment from surges & spikes		
AC Output			
Output voltage	220 V _{L-L} / 127 V _{L-N} ± 3%		
Power efficiency	97% typical (for load of 50 to 100%)		
Maximum rated output current	16.0 A	24.0 A	24.0 A
System status indicator	Green LED ON-Normal operation - Yellow LED ON-Bypass operation Red LED ON-Fault		
Output connector	Hardwired	Hardwired	NEAM L21-30R
Physical			
Dimension†	Type 1		
Weight	220 lbs (100 kg)	230 lbs (104 kg)	230 lbs (104 kg)
Mounting	Casters standard, optional C-channel floor mounting kit		
Max wire size (hard-wired)	8 AWG (10 mm ²)		
Environmental			
Operating temperature range	32° to +104° F (0° to +40° C)		
Operating humidity range	10 to 90% relative humidity (non-condensing)		
Operating altitude range	0 to 2,000 meters (6,600 ft) above sea level (without derating output power)		
Storage temperature range	-4° to +140° F (-20° to +60°C)		
Safety			
Agency approvals	Designed to meet UL 60950 (UL/cUL listing pending)		
Warranty			
Two-year limited warranty on parts and labor			

*Note 1: For continuous product improvement, specifications are subject to change without notice.

†Note 2: Refer to Page 29 and Page 30 for cabinet illustrations and detailed dimensions.

Technical Specifications*

[220 V_{L-L} / 127 V_{L-N}]

Model	VRP-15k-D11B	VRP-24k-D11B	VRP-30k-D11B	VRP-57k-D11B
-------	--------------	--------------	--------------	--------------

Electrical				
Capacity / (kVA)	15.2	24.4	30.5	57.3
Design topology	High-performance PWM voltage regulator operating at 20 kHz			
Voltage correction time	8 ms (½ line cycle)			

AC Input				
Input voltage range	Three phase wye 220 V _{L-L} / 127 V _{L-N} ± 20% (102 – 152 V _{L-N})			
Frequency	60 Hz			
Input Circuit breaker rating	50 A	80 A	100 A	None
AC Input connector	Hardwired			
Surge protection	Three-stage surge protector protects both the VRP and connected equipment from surges & spikes			

AC Output				
Output voltage	220 V _{L-L} / 127 V _{L-N} ± 3%			
Power efficiency	97% typical (for load of 50 to 100%)			
Maximum rated output current	40.0 A	64.0 A	80.0 A	150 A
System status indicator	Green LED ON-Normal operation - Yellow LED ON-Bypass operation Red LED ON-Fault			
Output connector	Hard-wired			

Physical				
Dimension†	Type 1			Type 2
Weight	260 lbs (118 kg)	325 lbs (147 kg)	340 lbs (154 kg)	600 lbs (272 kg)
Mounting	Casters standard, optional C-channel floor mounting kit			
Max wire size (hard-wired)	8 AWG (10 mm ²)	2 AWG (35 mm ²)	2 AWG (35 mm ²)	4/0 AWG (95 mm ²)

Environmental				
Operating Temperature Range	32° to +104° F (0° to +40° C)			
Operating Humidity Range	10 to 90% relative humidity (non-condensing)			
Operating altitude range	0 to 2,000 meters (6,600 ft) above sea level (without derating output power)			
Storage temperature range	-4° to +140° F (-20° to +60°C)			

Safety				
Agency approvals	Designed to meet UL 60950 (UL/cUL listing pending)			

Warranty				
Two-year limited warranty on parts and labor				

***Note 1:** For continuous product improvement, specifications are subject to change without notice.

†**Note 2:** Refer to Page 29 and Page 30 for cabinet illustrations and detailed dimensions.

Technical Specifications*

[220 V_{L-L} / 127 V_{L-N}]

Model	VRP-69k-D11D	VRP-79k-D11F
Electrical		
Capacity / (kVA)	68.8	79.2
Design topology	High-performance PWM voltage regulator operating at 20 kHz	
Voltage correction time	8 ms (½ line cycle)	
AC Input		
Input voltage range	Three phase wye 220 V _{L-L} / 127 V _{L-N} ± 17% (105 – 149 V _{L-N})	Three phase wye 220 V _{L-L} / 127 V _{L-N} ± 15% (108 – 146 V _{L-N})
Frequency	60 Hz	
Input circuit breaker rating	None	None
AC Input connector	Hard-wired	Hard-wired
Surge protection	Three-stage surge protector protects both the VRP and connected equipment from surges & spikes	
AC Output		
Output voltage	220 V _{L-L} / 127 V _{L-N} ± 3%	
Power efficiency	97% typical (for load of 50 to 100%)	
Maximum rated output current	181 A	208 A
System status indicator	Green LED ON-Normal operation - Yellow LED ON-Bypass operation Red LED ON-Fault	
Output connector	Hardwired	Hardwired
Physical		
Dimension†	Type 2	
Weight	900 lbs (408 kg)	900 lbs (408 kg)
Mounting	Casters standard, optional C-channel floor mounting kit	
Max wire size (hard-wired)	300 kcmil (150mm ²)	
Environmental		
Operating temperature range	32° to +104° F (0° to +40° C)	
Operating humidity range	10 to 90% relative humidity (non-condensing)	
Operating altitude range	0 to 2,000 meters (6,600 ft) above sea level (without derating output power)	
Storage temperature range	-4° to +140° F (-20° to +60°C)	
Safety		
Agency approvals	Designed to meet UL 60950 (UL/cUL listing pending)	
Warranty		
Two-year limited warranty on parts and labor		

*Note 1: For continuous product improvement, specifications are subject to change without notice.

†Note 2: Refer to Page 29 and Page 30 for cabinet illustrations and detailed dimensions.

Technical Specifications*

[380 V_{L-L} / 220 V_{L-N}]

Model	VRP-5k-E11A	VRP-8k-E11A	VRP-16k-E11A
Electrical			
Capacity / (kVA)	5.28	7.92	15.8
Design topology	High-performance PWM voltage regulator operating at 20 kHz		
Voltage correction time	10 ms (½ line cycle)		
AC Input			
Input voltage range	Three phase wye 380 V _{L-L} / 220 V _{L-N} ± 20% (176 – 264 V _{L-N})		
Frequency	50 / 60 Hz		
Input Circuit breaker rating	10 A	15 A	30 A
AC Input connector	Hardwired		
Surge protection	Three-stage surge protector protects both the VRP and connected equipment from surges & spikes		
AC Output			
Output voltage	380 V _{L-L} / 220 V _{L-N} ± 3%		
Power efficiency	97% typical (for load of 50 to 100%)		
Maximum rated output current	8.00 A	12.0 A	24.0 A
System status indicator	Green LED ON-Normal operation - Yellow LED ON-Bypass operation Red LED ON-Fault		
Output connector	Hardwired		
Physical			
Dimension†	Type 1		
Weight	220 lbs (100 kg)	230 lbs (104 kg)	260 lbs (118 kg)
Mounting	Casters standard, optional C-channel floor mounting kit		
Max wire size (hard-wired)	8 AWG (10 mm ²)		
Environmental			
Operating Temperature Range	32° to +104° F (0° to +40° C)		
Operating Humidity Range	10 to 90% relative humidity (non-condensing)		
Operating altitude range	0 to 2,000 meters (6,600 ft) above sea level (without derating output power)		
Storage temperature range	-4° to +140° F (-20° to +60°C)		
Safety			
Agency approvals	Designed to meet UL 60950 (UL/cUL listing pending)		
Warranty			
Two-year limited warranty on parts and labor			

***Note 1:** For continuous product improvement, specifications are subject to change without notice.

†**Note 2:** Refer to Page 29 and Page 30 for cabinet illustrations and detailed dimensions.

Technical Specifications*

[380 V_{L-L} / 220 V_{L-N}]

Model	VRP-21k-E11A	VRP-26k-E11A	VRP-42k-E11A	VRP-48k-E11A
-------	--------------	--------------	--------------	--------------

Electrical

Capacity / (kVA)	21.1	26.4	42.2	47.5
Design topology	High-performance PWM voltage regulator operating at 20 kHz			
Voltage correction time	10 ms (½ line cycle)			

AC Input

Input voltage range	Three phase wye 380 V _{L-L} / 220 V _{L-N} ± 20% (176 – 264 V _{L-N})			
Frequency	50 / 60 Hz			
Input Circuit breaker rating	40 A	50 A	80 A	90 A
AC Input connector	Hardwired			
Surge protection	Three-stage surge protector protects both the VRP and connected equipment from surges & spikes			

AC Output

Output voltage	380 V _{L-L} / 220 V _{L-N} ± 3%			
Power efficiency	97% typical (for load of 50 to 100%)			
Maximum rated output current	32.0 A	40.0 A	64.0 A	72.0 A
System status indicator	Green LED ON-Normal operation - Yellow LED ON-Bypass operation Red LED ON-Fault			
Output connector	Hardwired			

Physical

Dimension†	Type 1			
Weight	325 lbs (147 kg)	340 lbs (154 kg)	360 lbs (163 kg)	380 lbs (172 kg)
Mounting	Casters standard, optional C-channel floor mounting kit			
Max wire size (hard-wired)	8 AWG (10 mm ²)		2 AWG (35 mm ²)	

Environmental

Operating Temperature Range	32° to +104° F (0° to +40° C)			
Operating Humidity Range	10 to 90% relative humidity (non-condensing)			
Operating altitude range	0 to 2,000 meters (6,600 ft) above sea level (without derating output power)			
Storage temperature range	-4° to +140° F (-20° to +60°C)			

Safety

Agency approvals	Designed to meet UL 60950 (UL/cUL listing pending)			
------------------	--	--	--	--

Warranty

Two-year limited warranty on parts and labor

***Note 1:** For continuous product improvement, specifications are subject to change without notice.

†**Note 2:** Refer to Page 29 and Page 30 for cabinet illustrations and detailed dimensions.

Technical Specifications*

[380 V_{L-L} / 220 V_{L-N}]

Model	VRP-53k-E11A	VRP-62k-E11A	VRP-99k-E11A
Electrical			
Capacity / (kVA)	52.8	62.4	99.3
Design topology	High-performance PWM voltage regulator operating at 20 kHz		
Voltage correction time	10 ms (½ line cycle)		
AC Input			
Input voltage range	Three phase wye 380 V _{L-L} / 220 V _{L-N} ± 20% (176 – 264 V _{L-N})		
Frequency	50 / 60 Hz		
Input Circuit breaker rating	100 A	None	None
AC Input connector	Hardwired		
Surge protection	Three-stage surge protector protects both the VRP and connected equipment from surges & spikes		
AC Output			
Output voltage	380 V _{L-L} / 220 V _{L-N} ± 3%		
Power efficiency	97% typical (for load of 50 to 100%)		
Maximum rated output current	80.0 A	94.5 A	150 A
System status indicator	Green LED ON-Normal operation - Yellow LED ON-Bypass operation Red LED ON-Fault		
Output connector	Hardwired		
Physical			
Dimension†	Type 1	Type 2	Type 2
Weight	400 lbs (181 kg)	900 lbs (408 kg)	900 lbs (408 kg)
Mounting	Casters standard, optional C-channel floor mounting kit		
Max wire size (hard-wired)	2 AWG (35 mm ²)	4/0 AWG (95 mm ²)	4/0 AWG (95 mm ²)
Environmental			
Operating Temperature Range	32° to +104° F (0° to +40° C)		
Operating Humidity Range	10 to 90% relative humidity (non-condensing)		
Operating altitude range	0 to 2,000 meters (6,600 ft) above sea level (without derating output power)		
Storage temperature range	-4° to +140° F (-20° to +60°C)		
Safety			
Agency approvals	Designed to meet UL 60950 (UL/cUL listing pending)		
Warranty			
Two-year limited warranty on parts and labor			

*Note 1: For continuous product improvement, specifications are subject to change without notice.

†Note 2: Refer to Page 29 and Page 30 for cabinet illustrations and detailed dimensions.

Technical Specifications*

[380 V_{L-L} / 220 V_{L-N}]

Model	VRP-119k-E11C	VRP-137k-E11E
Electrical		
Capacity / (kVA)	119	137
Design topology	High-performance PWM voltage regulator operating at 20 kHz	
Voltage correction time	10 ms (½ line cycle)	
AC Input		
Input voltage range	Three phase wye 380 V _{L-L} / 220 V _{L-N} ± 17% (183 – 257 V _{L-N})	Three phase wye 380 V _{L-L} / 220 V _{L-N} ± 15% (187 – 253 V _{L-N})
Frequency	50 / 60 Hz ± 5 %	
Input Circuit breaker rating	None	None
AC Input connector	Hardwired	
Surge protection	Three-stage surge protector protects both the VRP and connected equipment from surges & spikes	
AC Output		
Output voltage	380 V _{L-L} / 220 V _{L-N} ± 3%	
Power efficiency	97% typical (for load of 50 to 100%)	
Maximum rated output current		72.0 A
System status indicator	Green LED ON-Normal operation - Yellow LED ON-Bypass operation Red LED ON-Fault	
Output connector	Hardwired	
Physical		
Dimension†	Type 2	
Weight	900 lbs (408 kg)	900 lbs (408 kg)
Mounting	Casters standard, optional C-channel floor mounting kit	
Max wire size (hard-wired)	300 kcmil (150mm ²)	300 kcmil (150mm ²)
Environmental		
Operating Temperature Range	32° to +104° F (0° to +40° C)	
Operating Humidity Range	10 to 90% relative humidity (non-condensing)	
Operating altitude range	0 to 2,000 meters (6,600 ft) above sea level (without derating output power)	
Storage temperature range	-4° to +140° F (-20° to +60°C)	
Safety		
Agency approvals	Designed to meet UL 60950 (UL/cUL listing pending)	
Warranty		
Two-year limited warranty on parts and labor		

*Note 1: For continuous product improvement, specifications are subject to change without notice.

†Note 2: Refer to Page 29 and Page 30 for cabinet illustrations and detailed dimensions.

Technical Specifications*

[400 V_{L-L} / 230 V_{L-N}]

Model	VRP-6k-F11A	VRP-8k-F11A	VRP-17k-F11A
Electrical			
Capacity / (kVA)	5.52	8.28	16.6
Design topology	High-performance PWM voltage regulator operating at 20 kHz		
Voltage correction time	10 ms (½ line cycle)		
AC Input			
Input voltage range	Three phase wye 400 V _{L-L} / 230 V _{L-N} ± 20% (184 – 276 V _{L-N})		
Frequency	50 / 60 Hz		
Input Circuit breaker rating	10 A	15 A	30 A
AC Input connector	Hardwired		
Surge protection	Three-stage surge protector protects both the VRP and connected equipment from surges & spikes		
AC Output			
Output voltage	380 V _{L-L} / 220 V _{L-N} ± 3%		
Power efficiency	97% typical (for load of 50 to 100%)		
Maximum rated output current	8.00 A	12.0 A	24.0 A
System status indicator	Green LED ON-Normal operation - Yellow LED ON-Bypass operation Red LED ON-Fault		
Output connector	Hardwired		
Physical			
Dimension†	Type 1		
Weight	220 lbs (100 kg)	230 lbs (104 kg)	260 lbs (118 kg)
Mounting	Casters standard, optional C-channel floor mounting kit		
Max wire size (hard-wired)	8 AWG (10 mm ²)		
Environmental			
Operating Temperature Range	32° to +104° F (0° to +40° C)		
Operating Humidity Range	10 to 90% relative humidity (non-condensing)		
Operating altitude range	0 to 2,000 meters (6,600 ft) above sea level (without derating output power)		
Storage temperature range	-4° to +140° F (-20° to +60°C)		
Safety			
Agency approvals	Designed to meet UL 60950 (UL/cUL listing pending)		
Warranty			
Two-year limited warranty on parts and labor			

***Note 1:** For continuous product improvement, specifications are subject to change without notice.

†**Note 2:** Refer to Page 29 and Page 30 for cabinet illustrations and detailed dimensions.

Technical Specifications*

[400 V_{L-L} / 230 V_{L-N}]

Model	VRP-22k-F11A	VRP-28k-F11A	VRP-44k-F11A	VRP-50k-F11A
-------	--------------	--------------	--------------	--------------

Electrical

Capacity / (kVA)	22.1	27.6	44.2	49.7
Design topology	High-performance PWM voltage regulator operating at 20 kHz			
Voltage correction time	10 ms (½ line cycle)			

AC Input

Input voltage range	Three phase wye 400 V _{L-L} / 230 V _{L-N} ± 20% (184 – 276 V _{L-N})			
Frequency	50 / 60 Hz			
Input Circuit breaker rating	40 A	50 A	80 A	90 A
AC Input connector	Hardwired			
Surge protection	Three-stage surge protector protects both the VRP and connected equipment from surges & spikes			

AC Output

Output voltage	400 V _{L-L} / 230 V _{L-N} ± 3%			
Power efficiency	97% typical (for load of 50 to 100%)			
Maximum rated output current	32.0 A	40.0 A	64.0 A	72.0 A
System status indicator	Green LED ON-Normal operation - Yellow LED ON-Bypass operation Red LED ON-Fault			
Output connector	Hardwired			

Physical

Dimension†	Type 1			
Weight	325 lbs (147 kg)	340 lbs (154 kg)	360 lbs (163 kg)	380 lbs (172 kg)
Mounting	Casters standard, optional C-channel floor mounting kit			
Max wire size (hard-wired)	8 AWG (10 mm ²)		2 AWG (35 mm ²)	

Environmental

Operating Temperature Range	32° to +104° F (0° to +40° C)			
Operating Humidity Range	10 to 90% relative humidity (non-condensing)			
Operating altitude range	0 to 2,000 meters (6,600 ft) above sea level (without derating output power)			
Storage temperature range	-4° to +140° F (-20° to +60°C)			

Safety

Agency approvals	Designed to meet UL 60950 (UL/cUL listing pending)			
------------------	--	--	--	--

Warranty

Two-year limited warranty on parts and labor

***Note 1:** For continuous product improvement, specifications are subject to change without notice.

†**Note 2:** Refer to Page 29 and Page 30 for cabinet illustrations and detailed dimensions.

Technical Specifications*

[400 V_{L-L} / 230 V_{L-N}]

Model	VRP-55k-F11A	VRP-65k-F11A	VRP-104k-F11A
Electrical			
Capacity / (kVA)	55.2	65.2	104
Design topology	High-performance PWM voltage regulator operating at 20 kHz		
Voltage correction time	10 ms (½ line cycle)		
AC Input			
Input voltage range	Three phase wye 400 V _{L-L} / 230 V _{L-N} ± 20% (184 – 276 V _{L-N})		
Frequency	50 / 60 Hz ± 5 %		
Input Circuit breaker rating	100 A	None	None
AC Input connector	Hardwired		
Surge protection	Three-stage surge protector protects both the VRP and connected equipment from surges & spikes		
AC Output			
Output voltage	400 V _{L-L} / 230 V _{L-N} ± 3%		
Power efficiency	97% typical (for load of 50 to 100%)		
Maximum rated output current	80.0 A	94.5 A	150 A
System status indicator	Green LED ON-Normal operation - Yellow LED ON-Bypass operation Red LED ON-Fault		
Output connector	Hardwired		
Physical			
Dimension†	Type 1	Type 2	Type 2
Weight	400 lbs (181 kg)	900 lbs (408 kg)	900 lbs (408 kg)
Mounting	Casters standard, optional C-channel floor mounting kit		
Max wire size (hard-wired)	2 AWG (35 mm ²)	4/0 AWG (95 mm ²)	
Environmental			
Operating Temperature Range	32° to +104° F (0° to +40° C)		
Operating Humidity Range	10 to 90% relative humidity (non-condensing)		
Operating altitude range	0 to 2,000 meters (6,600 ft) above sea level (without derating output power)		
Storage temperature range	-4° to +140° F (-20° to +60°C)		
Safety			
Agency approvals	Designed to meet UL 60950 (UL/cUL listing pending)		
Warranty			
Two-year limited warranty on parts and labor			

*Note 1: For continuous product improvement, specifications are subject to change without notice.

†Note 2: Refer to Page 29 and Page 30 for cabinet illustrations and detailed dimensions.

Technical Specifications*

[400 V_{L-L} / 230 V_{L-N}]

Model	VRP-125k-F11C	VRP-144k-F11E
Electrical		
Capacity / (kVA)	125	144
Design topology	High-performance PWM voltage regulator operating at 20 kHz	
Voltage correction time	10 ms (½ line cycle)	
AC Input		
Input voltage range	Three phase wye 400 V _{L-L} / 230 V _{L-N} ± 17% (191 – 269 V _{L-N})	Three phase wye 400 V _{L-L} / 230 V _{L-N} ± 15% (196 – 265 V _{L-N})
Frequency	50 / 60 Hz	
Input Circuit breaker rating	None	None
AC Input connector	Hardwired	
Surge protection	Three-stage surge protector protects both the VRP and connected equipment from surges & spikes	
AC Output		
Output voltage	400 V _{L-L} / 230 V _{L-N} ± 3%	
Power efficiency	97% typical (for load of 50 to 100%)	
Maximum rated output current	181 A	208 A
System status indicator	Green LED ON-Normal operation - Yellow LED ON-Bypass operation Red LED ON-Fault	
Output connector	Hardwired	
Physical		
Dimension†	Type 2	Type 2
Weight	900 lbs (408 kg)	900 lbs (408 kg)
Mounting	Casters standard, optional C-channel floor mounting kit	
Max wire size (hard-wired)	300 kcmil (150mm ²)	300 kcmil (150mm ²)
Environmental		
Operating Temperature Range	32° to +104° F (0° to +40° C)	
Operating Humidity Range	10 to 90% relative humidity (non-condensing)	
Operating altitude range	0 to 2,000 meters (6,600 ft) above sea level (without derating output power)	
Storage temperature range	-4° to +140° F (-20° to +60°C)	
Safety		
Agency approvals	Designed to meet UL 60950 (UL/cUL listing pending)	
Warranty		
Two-year limited warranty on parts and labor		

*Note 1: For continuous product improvement, specifications are subject to change without notice.

†Note 2: Refer to Page 29 and Page 30 for cabinet illustrations and detailed dimensions.

Technical Specifications*

[415 V_{L-L} / 240 V_{L-N}]

Model	VRP-6k-G11A	VRP-9k-G11A	VRP-17k-G11A
-------	-------------	-------------	--------------

Electrical

Capacity / (kVA)	5.76	8.64	17.3
Design topology	High-performance PWM voltage regulator operating at 20 kHz		
Voltage correction time	10 ms (½ line cycle)		

AC Input

Input voltage range	Three phase wye 415 V _{L-L} / 240 V _{L-N} ± 20% (192 – 288 V _{L-N})		
Frequency	50 / 60 Hz		
Input Circuit breaker rating	10 A	15 A	30 A
AC Input connector	Hardwired		
Surge protection	Three-stage surge protector protects both the VRP and connected equipment from surges & spikes		

AC Output

Output voltage	415 V _{L-L} / 240 V _{L-N} ± 3%		
Power efficiency	97% typical (for load of 50 to 100%)		
Maximum rated output current	8.00 A	12.0 A	24.0 A
System status indicator	Green LED ON-Normal operation - Yellow LED ON-Bypass operation Red LED ON-Fault		
Output connector	Hardwired		

Physical

Dimension†	Type 1		
Weight	220 lbs (100 kg)	230 lbs (104) kg	260 lbs (118 kg)
Mounting	Casters standard, optional C-channel floor mounting kit		
Max wire size (hard-wired)	8 AWG (10 mm ²)		

Environmental

Operating Temperature Range	32° to +104° F (0° to +40° C)		
Operating Humidity Range	10 to 90% relative humidity (non-condensing)		
Operating altitude range	0 to 2,000 meters (6,600 ft) above sea level (without derating output power)		
Storage temperature range	-4° to +140° F (-20° to +60°C)		

Safety

Agency approvals	Designed to meet UL 60950 (UL/cUL listing pending)		
------------------	--	--	--

Warranty

Two-year limited warranty on parts and labor

***Note 1:** For continuous product improvement, specifications are subject to change without notice.

†**Note 2:** Refer to Page 29 and Page 30 for cabinet illustrations and detailed dimensions.

Technical Specifications*

[415 V_{L-L} / 240 V_{L-N}]

Model	VRP-23k-G11A	VRP-29k-G11A	VRP-46k-G11A	VRP-52k-G11A
-------	--------------	--------------	--------------	--------------

Electrical

Capacity / (kVA)	23.0	28.8	46.1	51.8
Design topology	High-performance PWM voltage regulator operating at 20 kHz			
Voltage correction time	10 ms (½ line cycle)			

AC Input

Input voltage range	Three phase wye 415 V _{L-L} / 240 V _{L-N} ± 20% (192 – 288 V _{L-N})			
Frequency	50 / 60 Hz			
Input Circuit breaker rating	40 A	50 A	80 A	90 A
AC Input connector	Hardwired			
Surge protection	Three-stage surge protector protects both the VRP and connected equipment from surges & spikes			

AC Output

Output voltage	415 V _{L-L} / 240 V _{L-N} ± 3%			
Power efficiency	97% typical (for load of 50 to 100%)			
Maximum rated output current	32.0 A	40.0 A	64.0 A	72.0 A
System status indicator	Green LED ON-Normal operation - Yellow LED ON-Bypass operation Red LED ON-Fault			
Output connector	Hardwired			

Physical

Dimension†	Type 1			
Weight	325 lbs (147 kg)	340 lbs (154 kg)	360 lbs (163 kg)	380 lbs (172 kg)
Mounting	Casters standard, optional C-channel floor mounting kit			
Max wire size (hard-wired)	8 AWG (10 mm ²)		2 AWG (35 mm ²)	

Environmental

Operating Temperature Range	32° to +104° F (0° to +40° C)			
Operating Humidity Range	10 to 90% relative humidity (non-condensing)			
Operating altitude range	0 to 2,000 meters (6,600 ft) above sea level (without derating output power)			
Storage temperature range	-4° to +140° F (-20° to +60°C)			

Safety

Agency approvals	Designed to meet UL 60950 (UL/cUL listing pending)			
------------------	--	--	--	--

Warranty

Two-year limited warranty on parts and labor

*Note 1: For continuous product improvement, specifications are subject to change without notice.

†Note 2: Refer to Page 29 and Page 30 for cabinet illustrations and detailed dimensions.

Technical Specifications*

[415 V_{L-L} / 240 V_{L-N}]

Model	VRP-58k-G11A	VRP-68k-G11A	VRP-108k-G11A
Electrical			
Capacity / (kVA)	57.6	68.0	108
Design topology	High-performance PWM voltage regulator operating at 20 kHz		
Voltage correction time	10 ms (½ line cycle)		
AC Input			
Input voltage range	Three phase wye 415 V _{L-L} / 240 V _{L-N} ± 20% (192 – 288 V _{L-N})		
Frequency	50 / 60 Hz		
Input Circuit breaker rating	100 A	None	None
AC Input connector	Hardwired		
Surge protection	Three-stage surge protector protects both the VRP and connected equipment from surges & spikes		
AC Output			
Output voltage	415 V _{L-L} / 240 V _{L-N} ± 3%		
Power efficiency	97% typical (for load of 50 to 100%)		
Maximum rated output current	80.0 A	94.5	150 A
System status indicator	Green LED ON-Normal operation - Yellow LED ON-Bypass operation Red LED ON-Fault		
Output connector	Hardwired		
Physical			
Dimension†	Type 1	Type 2	Type 2
Weight	400 lbs (181 kg)	900 lbs (408 kg)	900 lbs (408 kg)
Mounting	Casters standard, optional C-channel floor mounting kit		
Max wire size (hard-wired)	2 AWG (35 mm ²)	4/0 AWG (95 mm ²)	4/0 AWG (95 mm ²)
Environmental			
Operating Temperature Range	32° to +104° F (0° to +40° C)		
Operating Humidity Range	10 to 90% relative humidity (non-condensing)		
Operating altitude range	0 to 2,000 meters (6,600 ft) above sea level (without derating output power)		
Storage temperature range	-4° to +140° F (-20° to +60°C)		
Safety			
Agency approvals	Designed to meet UL 60950 (UL/cUL listing pending)		
Warranty			
Two-year limited warranty on parts and labor			

*Note 1: For continuous product improvement, specifications are subject to change without notice.

†Note 2: Refer to Page 29 and Page 30 for cabinet illustrations and detailed dimensions.

Technical Specifications*

[415 V_{L-L} / 240 V_{L-N}]

Model	VRP-130k-G11C	VRP-150k-G11E
-------	---------------	---------------

Electrical

Capacity / (kVA)	130	150
Design topology	High-performance PWM voltage regulator operating at 20 kHz	
Voltage correction time	10 ms (½ line cycle)	

AC Input

Input voltage range	Three phase wye 415 V _{L-L} / 240 V _{L-N} ± 17% (199 – 281 V _{L-N})	Three phase wye 415 V _{L-L} / 240 V _{L-N} ± 15% (204 – 276 V _{L-N})
Frequency	50 / 60 Hz	
Input Circuit breaker rating	None	None
AC Input connector	Hardwired	
Surge protection	Three-stage surge protector protects both the VRP and connected equipment from surges & spikes	

AC Output

Output voltage	415 V _{L-L} / 240 V _{L-N} ± 3%	
Power efficiency	97% typical (for load of 50 to 100%)	
Maximum rated output current	181 A	208 A
System status indicator	Green LED ON-Normal operation - Yellow LED ON-Bypass operation Red LED ON-Fault	
Output connector	Hardwired	

Physical

Dimension†	Type 2	Type 2
Weight	900 lbs (408 kg)	900 lbs (408 kg)
Mounting	Casters standard, optional C-channel floor mounting kit	
Max wire size (hard-wired)	300 kcmil (150mm ²)	300 kcmil (150mm ²)

Environmental

Operating Temperature Range	32° to +104° F (0° to +40° C)	
Operating Humidity Range	10 to 90% relative humidity (non-condensing)	
Operating altitude range	0 to 2,000 meters (6,600 ft) above sea level (without derating output power)	
Storage temperature range	-4° to +140° F (-20° to +60°C)	

Safety

Agency approvals	Designed to meet UL 60950 (UL/cUL listing pending)
------------------	--

Warranty

Two-year limited warranty on parts and labor

*Note 1: For continuous product improvement, specifications are subject to change without notice.

†Note 2: Refer to Page 29 and Page 30 for cabinet illustrations and detailed dimensions.

Technical Specifications*

[460 V_{L-L} / 266 V_{L-N}]

Model	VRP-6k-I11B	VRP-10k-I11B	VRP-19k-I11B
Electrical			
Capacity / (kVA)	6.38	9.58	19.2
Design topology	High-performance PWM voltage regulator operating at 20 kHz		
Voltage correction time	8 ms (½ line cycle)		
AC Input			
Input voltage range	Three phase wye 460 V _{L-L} / 266 V _{L-N} ± 20% (213 – 319 V _{L-N})		
Frequency	60 Hz		
Input Circuit breaker rating	10 A	15 A	30 A
AC Input connector	Hardwired		
Surge protection	Three-stage surge protector protects both the VRP and connected equipment from surges & spikes		
AC Output			
Output voltage	460 V _{L-L} / 266 V _{L-N} ± 3%		
Power efficiency	97% typical (for load of 50 to 100%)		
Maximum rated output current	8.0 A	12.0 A	24.0 A
System status indicator	Green LED ON-Normal operation - Yellow LED ON-Bypass operation Red LED ON-Fault		
Output connector	Hardwired		
Physical			
Dimension†	Type 1		
Weight	220 lbs (100 kg)	230 lbs (104 kg)	260 lbs (118 kg)
Mounting	Casters standard, optional C-channel floor mounting kit		
Max wire size (hard-wired)	8 AWG (10 mm ²)		
Environmental			
Operating Temperature Range	32° to +104° F (0° to +40° C)		
Operating Humidity Range	10 to 90% relative humidity (non-condensing)		
Operating altitude range	0 to 2,000 meters (6,600 ft) above sea level (without derating output power)		
Storage temperature range	-4° to +140° F (-20° to +60°C)		
Safety			
Agency approvals	Designed to meet UL 60950 (UL/cUL listing pending)		
Warranty			
Two-year limited warranty on parts and labor			

***Note 1:** For continuous product improvement, specifications are subject to change without notice.

†**Note 2:** Refer to Page 29 and Page 30 for cabinet illustrations and detailed dimensions.

Technical Specifications*

[460 V_{L-L} / 266 V_{L-N}]

Model	VRP-26k-I11B	VRP-32k-I11B	VRP-51k-I11B	VRP-57k-I11B
-------	--------------	--------------	--------------	--------------

Electrical

Capacity / (kVA)	25.5	31.9	51.1	57.5
Design topology	High-performance PWM voltage regulator operating at 20 kHz			
Voltage correction time	8 ms (½ line cycle)			

AC Input

Input voltage range	Three phase wye 460 V _{L-L} / 266 V _{L-N} ± 20% (213 – 319 V _{L-N})			
Frequency	60 Hz			
Input Circuit breaker rating	40 A	50 A	80 A	90 A
AC Input connector	Hardwired			
Surge protection	Three-stage surge protector protects both the VRP and connected equipment from surges & spikes			

AC Output

Output voltage	460 V _{L-L} / 266 V _{L-N} ± 3%			
Power efficiency	97% typical (for load of 50 to 100%)			
Maximum rated output current	32.0 A	40.0 A	64.0 A	72.0 A
System status indicator	Green LED ON-Normal operation - Yellow LED ON-Bypass operation Red LED ON-Fault			
Output connector	Hardwired			

Physical

Dimension†	Type 1			
Weight	325 lbs (147 kg)	340 lbs (154 kg)	360 lbs (163 kg)	380 lbs (172 kg)
Mounting	Casters standard, optional C-channel floor mounting kit			
Max wire size (hard-wired)	8 AWG (10 mm ²)		2 AWG (35 mm ²)	

Environmental

Operating Temperature Range	32° to +104° F (0° to +40° C)			
Operating Humidity Range	10 to 90% relative humidity (non-condensing)			
Operating altitude range	0 to 2,000 meters (6,600 ft) above sea level (without derating output power)			
Storage temperature range	-4° to +140° F (-20° to +60°C)			

Safety

Agency approvals	Designed to meet UL 60950 (UL/cUL listing pending)			
------------------	--	--	--	--

Warranty

Two-year limited warranty on parts and labor

*Note 1: For continuous product improvement, specifications are subject to change without notice.

†Note 2: Refer to Page 29 and Page 30 for cabinet illustrations and detailed dimensions.

Technical Specifications*

[460 V_{L-L} / 266 V_{L-N}]

Model	VRP-64k-I11B	VRP-75k-I11B	VRP-120k-I11B
Capacity / (kVA)	63.8	75.4	120
Design topology	High-performance PWM voltage regulator operating at 20 kHz		
Voltage correction time	8 ms (½ line cycle)		

AC Input

Input voltage range	Three phase wye 460 V _{L-L} / 266 V _{L-N} ± 20% (213 – 319 V _{L-N})		
Frequency	60 Hz		
Input Circuit breaker rating	100 A	None	None
AC Input connector	Hardwired		
Surge protection	Three-stage surge protector protects both the VRP and connected equipment from surges & spikes		

AC Output

Output voltage	460 V _{L-L} / 266 V _{L-N} ± 3%		
Power efficiency	97% typical (for load of 50 to 100%)		
Maximum rated output current	80.0 A	94.5 A	150 A
System status indicator	Green LED ON-Normal operation - Yellow LED ON-Bypass operation Red LED ON-Fault		
Output connector	Hardwired		

Physical

Dimension†	Type 1	Type 2	Type 2
Weight	400 lbs (181 kg)	900 lbs (408 kg)	900 lbs (408 kg)
Mounting	Casters standard, optional C-channel floor mounting kit		
Max wire size (hard-wired)	2 AWG (35 mm ²)	4/0 AWG (95 mm ²)	4/0 AWG (95 mm ²)

Environmental

Operating Temperature Range	32° to +104° F (0° to +40° C)
Operating Humidity Range	10 to 90% relative humidity (non-condensing)
Operating altitude range	0 to 2,000 meters (6,600 ft) above sea level (without derating output power)
Storage temperature range	-4° to +140° F (-20° to +60°C)

Safety

Agency approvals	Designed to meet UL 60950 (UL/cUL listing pending)
------------------	--

Warranty

Two-year limited warranty on parts and labor

***Note 1:** For continuous product improvement, specifications are subject to change without notice.

†**Note 2:** Refer to Page 29 and Page 30 for cabinet illustrations and detailed dimensions.

Technical Specifications*

[460 V_{L-L} / 266 V_{L-N}]

Model	VRP-144k-I11D	VRP-166k-I11F
Capacity / (kVA)	144	166
Design topology	High-performance PWM voltage regulator operating at 20 kHz	
Voltage correction time	8 ms (½ line cycle)	

AC Input

Input voltage range	Three phase wye 460 V _{L-L} / 266 V _{L-N} ± 17% (221 – 311 V _{L-N})	Three phase wye 460 V _{L-L} / 266 V _{L-N} ± 15% (226 – 306 V _{L-N})
Frequency	60 Hz	
Input Circuit breaker rating	None	None
AC Input connector	Hardwired	
Surge protection	Three-stage surge protector protects both the VRP and connected equipment from surges & spikes	

AC Output

Output voltage	460 V _{L-L} / 266 V _{L-N} ± 3%	
Power efficiency	97% typical (for load of 50 to 100%)	
Maximum rated output current	181 A	208 A
System status indicator	Green LED ON-Normal operation - Yellow LED ON-Bypass operation Red LED ON-Fault	
Output connector	Hardwired	

Physical

Dimension†	Type 2	Type 2
Weight	900 lbs (408 kg)	900 lbs (408 kg)
Mounting	Casters standard, optional C-channel floor mounting kit	
Max wire size (hard-wired)	300 kcmil (150mm ²)	300 kcmil (150mm ²)

Environmental

Operating Temperature Range	32° to +104° F (0° to +40° C)	
Operating Humidity Range	10 to 90% relative humidity (non-condensing)	
Operating altitude range	0 to 2,000 meters (6,600 ft) above sea level (without derating output power)	
Storage temperature range	-4° to +140° F (-20° to +60°C)	

Safety

Agency approvals	Designed to meet UL 60950 (UL/cUL listing pending)
------------------	--

Warranty

Two-year limited warranty on parts and labor

***Note 1:** For continuous product improvement, specifications are subject to change without notice.

†**Note 2:** Refer to Page 29 and Page 30 for cabinet illustrations and detailed dimensions.

Technical Specifications*

[480 V_{L-L} / 277 V_{L-N}]

Model	VRP-7k-J11B	VRP-10k-J11B	VRP-20k-J11B
Electrical			
Capacity / (kVA)	6.65	9.97	19.9
Design topology	High-performance PWM voltage regulator operating at 20 kHz		
Voltage correction time	8 ms (½ line cycle)		
AC Input			
Input voltage range	Three phase wye 480 V _{L-L} / 277 V _{L-N} ± 20% (222 – 332 V _{L-N})		
Frequency	60 Hz		
Input Circuit breaker rating	10 A	15 A	30 A
AC Input connector	Hardwired		
Surge protection	Three-stage surge protector protects both the VRP and connected equipment from surges & spikes		
AC Output			
Output voltage	480 V _{L-L} / 277 V _{L-N} ± 3%		
Power efficiency	97% typical (for load of 50 to 100%)		
Maximum rated output current	8.00 A	12.0 A	24.0 A
System status indicator	Green LED ON-Normal operation - Yellow LED ON-Bypass operation Red LED ON-Fault		
Output connector	Hardwired		
Physical			
Dimension†	Type 1		
Weight	220 lbs (100 kg)	230 lbs (104 kg)	260 lbs (118 kg)
Mounting	Casters standard, optional C-channel floor mounting kit		
Max wire size (hard-wired)	8 AWG (10 mm ²)		
Environmental			
Operating Temperature Range	32° to +104° F (0° to +40° C)		
Operating Humidity Range	10 to 90% relative humidity (non-condensing)		
Operating altitude range	0 to 2,000 meters (6,600 ft) above sea level (without derating output power)		
Storage temperature range	-4° to +140° F (-20° to +60°C)		
Safety			
Agency approvals	Designed to meet UL 60950 (UL/cUL listing pending)		
Warranty			
Two-year limited warranty on parts and labor			

*Note 1: For continuous product improvement, specifications are subject to change without notice.

†Note 2: Refer to Page 29 and Page 30 for cabinet illustrations and detailed dimensions.

Technical Specifications*

[480 V_{L-L} / 277 V_{L-N}]

Model	VRP-27k-J11B	VRP-33k-J11B	VRP-53k-J11B	VRP-60k-J11B
-------	--------------	--------------	--------------	--------------

Electrical

Capacity / (kVA)	26.6	33.2	53.2	59.8
Design topology	High-performance PWM voltage regulator operating at 20 kHz			
Voltage correction time	8 ms (½ line cycle)			

AC Input

Input voltage range	Three phase wye 480 V _{L-L} / 277 V _{L-N} ± 20% (222 – 332 V _{L-N})			
Frequency	60 Hz			
Input Circuit breaker rating	40 A	50 A	80 A	90 A
AC Input connector	Hardwired			
Surge protection	Three-stage surge protector protects both the VRP and connected equipment from surges & spikes			

AC Output

Output voltage	480 V _{L-L} / 277 V _{L-N} ± 3%			
Power efficiency	97% typical (for load of 50 to 100%)			
Maximum rated output current	32.0 A	40.0 A	64.0 A	72.0 A
System status indicator	Green LED ON-Normal operation - Yellow LED ON-Bypass operation Red LED ON-Fault			
Output connector	Hardwired			

Physical

Dimension†	Type 1			
Weight	325 lbs (147 kg)	340 lbs (154 kg)	360 lbs (163 kg)	380 lbs (172 kg)
Mounting	Casters standard, optional C-channel floor mounting kit			
Max wire size (hard-wired)	8 AWG (10 mm ²)		2 AWG (35 mm ²)	

Environmental

Operating Temperature Range	32° to +104° F (0° to +40° C)			
Operating Humidity Range	10 to 90% relative humidity (non-condensing)			
Operating altitude range	0 to 2,000 meters (6,600 ft) above sea level (without derating output power)			
Storage temperature range	-4° to +140° F (-20° to +60°C)			

Safety

Agency approvals	Designed to meet UL 60950 (UL/cUL listing pending)			
------------------	--	--	--	--

Warranty

Two-year limited warranty on parts and labor

*Note 1: For continuous product improvement, specifications are subject to change without notice.

†Note 2: Refer to Page 29 and Page 30 for cabinet illustrations and detailed dimensions.

Technical Specifications*

[480 V_{L-L} / 277 V_{L-N}]

Model	VRP-66k-J11B	VRP-79k-J11B	VRP-125k-J11B
Capacity / (kVA)	66.5	78.5	125
Design topology	High-performance PWM voltage regulator operating at 20 kHz		
Voltage correction time	8 ms (½ line cycle)		

AC Input

Input voltage range	Three phase wye 480 V _{L-L} / 277 V _{L-N} ± 20% (222 – 332 V _{L-N})		
Frequency	60 Hz		
Input Circuit breaker rating	100 A	None	None
AC Input connector	Hardwired		
Surge protection	Three-stage surge protector protects both the VRP and connected equipment from surges & spikes		

AC Output

Output voltage	480 V _{L-L} / 277 V _{L-N} ± 3%		
Power efficiency	97% typical (for load of 50 to 100%)		
Maximum rated output current	80.0 A	95.0 A	150 A
System status indicator	Green LED ON-Normal operation - Yellow LED ON-Bypass operation Red LED ON-Fault		
Output connector	Hardwired		

Physical

Dimension†	Type 1	Type 2	Type 2
Weight	400 lbs (181 kg)	900 lbs (408 kg)	900 lbs (408 kg)
Mounting	Casters standard, optional C-channel floor mounting kit		
Max wire size (hard-wired)	2 AWG (35 mm ²)	4/0 AWG (95 mm ²)	4/0 AWG (95 mm ²)

Environmental

Operating Temperature Range	32° to +104° F (0° to +40° C)
Operating Humidity Range	10 to 90% relative humidity (non-condensing)
Operating altitude range	0 to 2,000 meters (6,600 ft) above sea level (without derating output power)
Storage temperature range	-4° to +140° F (-20° to +60°C)

Safety

Agency approvals	Designed to meet UL 60950 (UL/cUL listing pending)
------------------	--

Warranty

Two-year limited warranty on parts and labor

***Note 1:** For continuous product improvement, specifications are subject to change without notice.

†**Note 2:** Refer to Page 29 and Page 30 for cabinet illustrations and detailed dimensions.

Technical Specifications*

[480 V_{L-L} / 277 V_{L-N}]

Model	VRP-150k-J11D	VRP-173k-J11F
Capacity / (kVA)	150	173
Design topology	High-performance PWM voltage regulator operating at 20 kHz	
Voltage correction time	8 ms (½ line cycle)	

AC Input

Input voltage range	Three phase wye 480 V _{L-L} / 277 V _{L-N} ± 17% (230 – 324 V _{L-N})	Three phase wye 480 V _{L-L} / 277 V _{L-N} ± 15% (235 – 319 V _{L-N})
Frequency	60 Hz	
Input Circuit breaker rating	None	None
AC Input connector	Hardwired	
Surge protection	Three-stage surge protector protects both the VRP and connected equipment from surges & spikes	

AC Output

Output voltage	480 V _{L-L} / 277 V _{L-N} ± 3%	
Power efficiency	97% typical (for load of 50 to 100%)	
Maximum rated output current	181 A	208 A
System status indicator	Green LED ON-Normal operation - Yellow LED ON-Bypass operation Red LED ON-Fault	
Output connector	Hardwired	

Physical

Dimension†	Type 2	Type 2
Weight	900 lbs (408 kg)	900 lbs (408 kg)
Mounting	Casters standard, optional C-channel floor mounting kit	
Max wire size (hard-wired)	300 kcmil (150mm ²)	300 kcmil (150mm ²)

Environmental

Operating Temperature Range	32° to +104° F (0° to +40° C)	
Operating Humidity Range	10 to 90% relative humidity (non-condensing)	
Operating altitude range	0 to 2,000 meters (6,600 ft) above sea level (without derating output power)	
Storage temperature range	-4° to +140° F (-20° to +60°C)	

Safety

Agency approvals	Designed to meet UL 60950 (UL/cUL listing pending)
------------------	--

Warranty

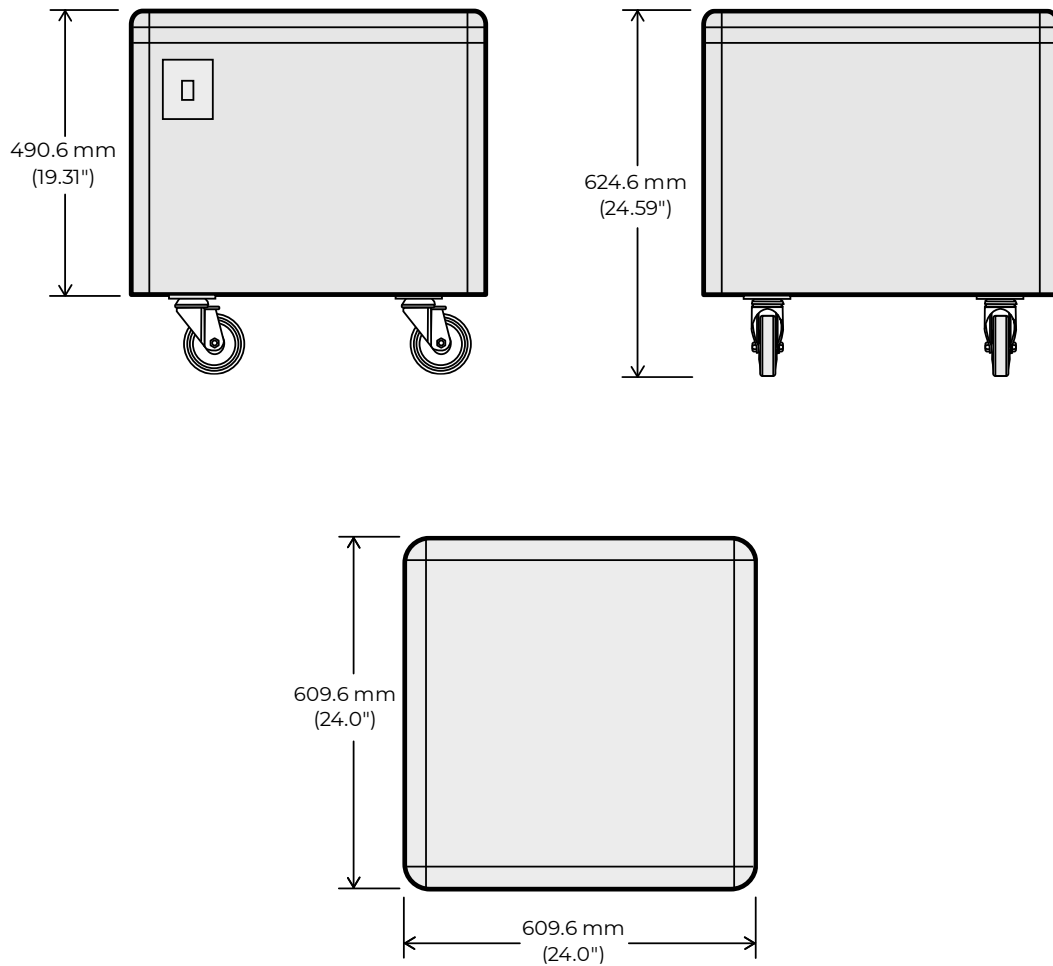
Two-year limited warranty on parts and labor

*Note 1: For continuous product improvement, specifications are subject to change without notice.

†Note 2: Refer to Page 29 and Page 30 for cabinet illustrations and detailed dimensions.

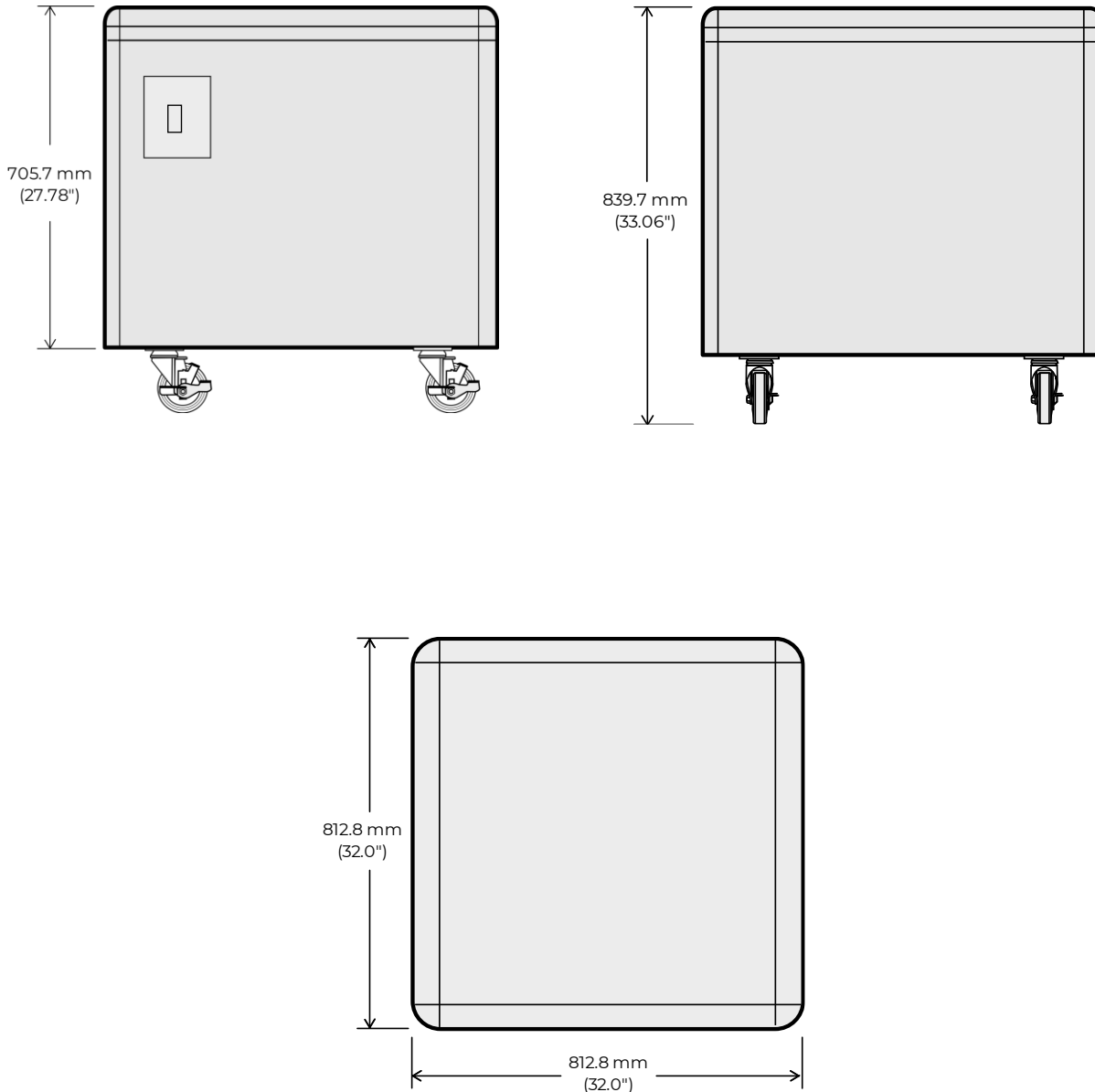
Dimensions

Type 1



Dimensions

Type 2



TSI Power Corporation

| 1103 W Pierce Avenue, Antigo, WI 54409 USA |
| Tel: + 1-715-623-0636 (US) / + 65-9842-6601(Asia) |
| sales@tsipower.com | www.tsipower.com |

