

ATS

500-380x

15 A
208 V

500-580x

20 A
208 V

500-780x

30 A
208 V

500-300x

15 A
220, 240 V

500-500x

20 A
220, 240 V

500-700x

30 A
220, 240 V

Intertek


TSI
POWER

1103 W Pierce Avenue
Antigo, WI 54409 USA
Tel: +1-800-874-3160
Fax: +1-715-623-2426
sales@tsipower.com
www.tsipower.com

TWO AC INPUTS - ONE AC OUTPUT / AUTOMATIC TRANSFER SWITCH

Automatic transfer switches

The ATS-500 automatic transfer switch is designed for multiple autonomous power sources. The ATS can be utilized as single or multiple units for different levels of redundancy.



Front view showing twist lock type input cables, enable/disable audible alarm switch and LED status indicators

Typical ATS applications

Applications include but are not limited to telecom, data centers, industrial control, automatic test equipment, oil & gas and utilities.

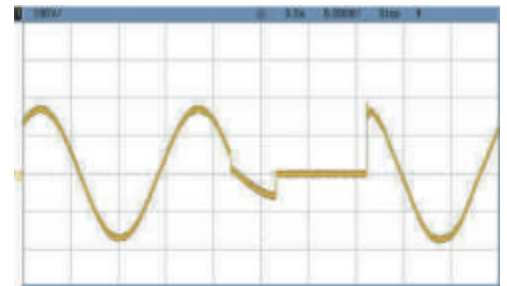


Rear view showing twist lock type receptacle and twist lock type input cables, DB-9 connector, primary and backup circuit breakers

How the ATS works

The ATS works with asynchronous or out-of-phase power sources. Customers with special requirements can request custom programming to address special use situations.

The ATS is fed by two AC power sources. When the primary power source loses power, the ATS switches the load to the backup power source in under one cycle. This is fast enough to be invisible to even the most sensitive equipment.



Typical transfer between primary and backup power

Features and Benefits

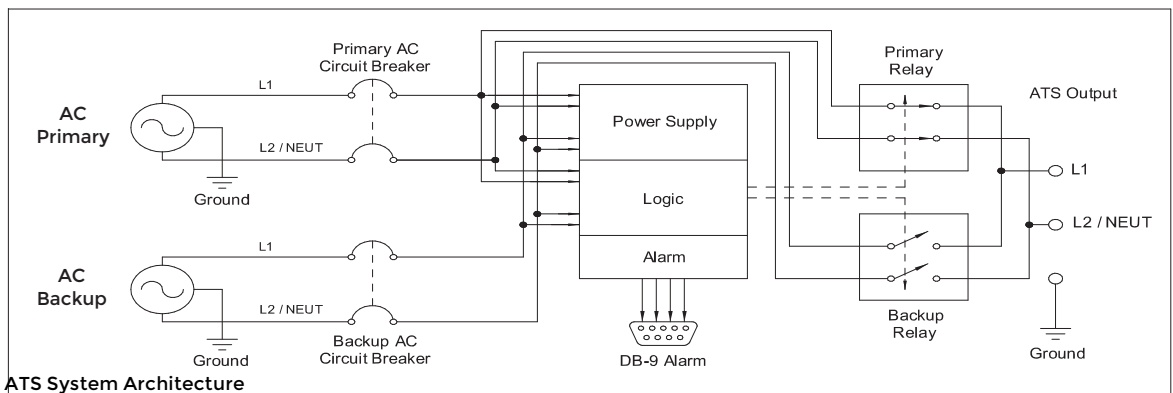
- Accepts asynchronous inputs from most supply voltages, including out-of-phase.
- Transfer time of under one cycle - fast enough for even the most sensitive loads.
- Audible alarm with enable/ disable switch for unattended security.
- LED indicators for visual display of fault conditions.
- Greater than 99% efficiency for substantial energy savings when used as batteryless UPS.
- Remote monitoring via DB9 port.
- Galvanically isolated AC inputs.
- 70-90% reduction in CAPEX and OPEX when used as a batteryless UPS.
- Integral primary and backup rocker circuit breakers are readily visible and easily accessible at the rear.
- Allows redundant AC power to mission-critical equipment with any combination of UPS, generator, or other autonomous AC power sources.
- Rugged steel enclosure can be wall or floor mounted with optional mounting brackets.

SPECIFICATIONATS-500-	380x	ATS-500-580x	ATS-500-780x	ATS-500-300x	ATS-500-500x	ATS-500-700x
ELECTRICAL						
VA at 208 V	3120	4160	6240			
VA at 220 V				3300	4400	6600
VA at 240 V				3600	4800	7200
Current rating	15 A	20 A	30 A	15 A	20 A	30 A
Switching technology	Mechanical relays					
INPUT						
Voltage range:	208 V/208 V; 166 - 239 V ± 2.5 % nominal					
Voltage range: 220 V or 240 V				220 V or 240 V; 184 - 264 V ± 2.5 % nominal		
Frequency range	47 to 63 Hz, Caution: Both sources must use same nominal frequency					
Transfer time	Under one cycle					
Plug models: -3x02 / -3x03 / -3x04 Plug models: -5x02 / -5x03 / -5x04 Plug models: -7x02 / -7x03 Plug models: -xxxx	6-15P / L6-15P / IEC 60320 C14 6-20P / L6-20P / IEC 60320 C20 6-30P / L6-30P Other configurations available					
OUTPUT						
Voltage / Current	208 V / 15, 20 or 30 A			220 or 240 V / 15, 20 or 30 A		
Load regulation	1 % from no load to full load					
Power efficiency	99 % or higher					
Receptacle models: -3x02 / -3x03 / -3x04 Receptacle models: -5x02 / -5x03 / -5x04 Receptacle models: -7x02 / -7x03 Receptacle models: -xxxx	6-15R / L6-15R / IEC 60320 C13 6-20R / L6-20R / IEC 60320 C19 6-30R / L6-30R Other configurations available					
LED indicators:	Green: Primary output, Yellow: Backup output, Red: Primary or backup AC is out of tolerance					
Audible alarm	Buzzer beeps when loss of primary or backup AC occurs					
Audible alarm on / off	Enable / Disable switch					
Alarm contacts	Rear-mounted DB-9 connector sends loss of primary / backup AC					
PHYSICAL						
Dimensions: Inches / mm	W: 11.25" / 286 mm H: 3" / 76 mm D: 10" / 254 mm					
Weight: lbs / kg	8 lbs. / 3.63 kg					
Wall or floor mount kit	MK-4000C					
ENVIRONMENTAL						
Ambient temperature	32° to 104° F (0° to 40° C)					
AGENCY APPROVALS						
Safety	UL 60950-1 Issue: 2007/03/27 Ed:2 UL Standard for Safety Information Technology Equipment - Safety - Part 1: General Requirements - CSA C22.2#60950-1 Issued: 2007/03/01 Ed:2 Information Technology Equipment Safety Part 1: General Requirements					
Warranty	Two year limited warranty covers parts and labor					



**TSI
POWER**

1103 W Pierce Avenue
Antigo, WI 54409 USA
Tel: +1-800-874-3160
Fax: +1-715-623-2426
sales@tsipower.com
www.tsipower.com
Copyright© 2019 TSI POWER



ATS System Architecture

TSIPOWER's ongoing product improvement process makes specifications subject to change. Other companies product names herein are for identification purposes only and may be trademarks of their respective companies.