

## TWO AC INPUTS - ONE AC OUTPUT / AUTOMATIC TRANSFER SWITCH

# ATS

### ATS Model

800-2000

15 A  
120 V

800-4000

20 A  
120 V

800-6000

30 A  
120 V

800-8000

40 A  
120 V

## Automatic transfer switches

The ATS-800 automatic transfer switch is designed for multiple autonomous power sources. The ATS can be utilized as single or multiple units for different levels of redundancy.

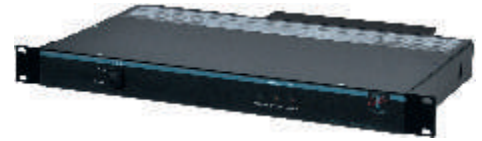
## Typical ATS applications

Applications include but are not limited to telecom, data centers, industrial control, automatic test equipment, oil & gas and utilities.

## How the ATS works

The ATS works with asynchronous or out-of-phase power sources. Customers with special requirements can request custom programming to address special use situations.

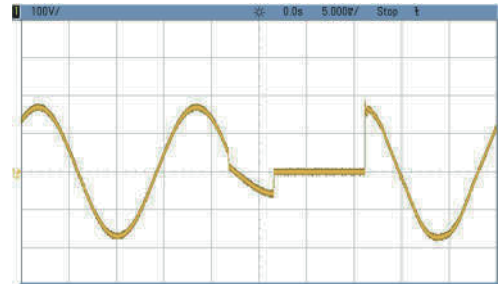
The ATS is fed by two AC power sources. When the primary power source loses power, the ATS switches the load to the backup power source in under one cycle. This is fast enough to be invisible to even the most sensitive equipment.



Front view showing enable/disable audible alarm switch and LED status indicators



Rear view showing hardwire cover, DB-9 connector, primary and backup circuit breakers



Typical transfer between primary and backup power



**TSI**  
**POWER**

1103 W Pierce Avenue  
Antigo, WI 54409 USA  
Tel: +1-800-874-3160  
Fax: +1-715-623-2426  
sales@tsipower.com  
www.tsipower.com

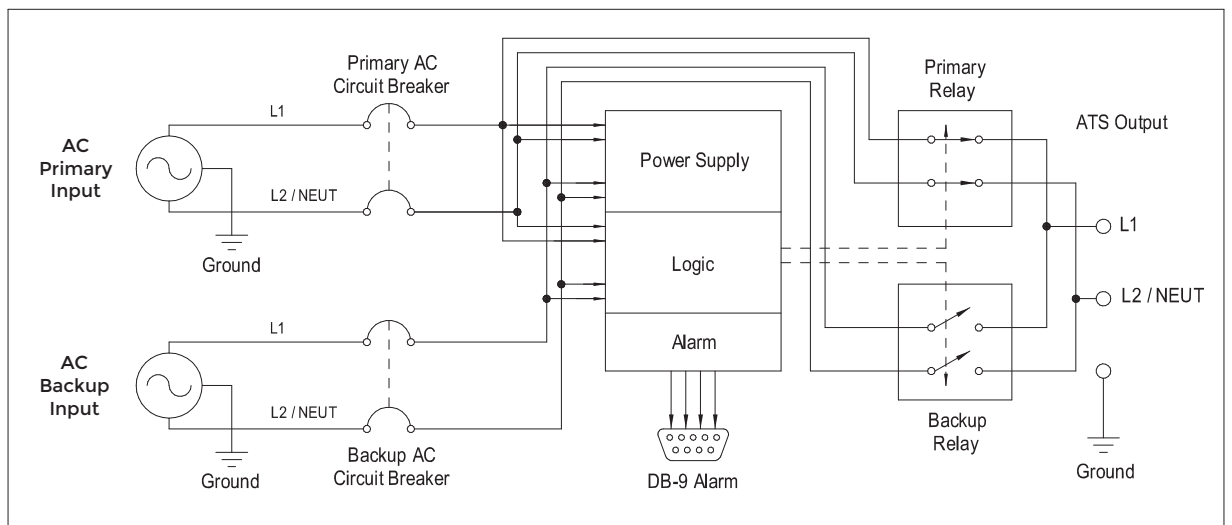
## Features and Benefits

- Accepts asynchronous inputs from most supply voltages, including out-of-phase.
- Transfer time of under one cycle - fast enough for even the most sensitive loads.
- Audible alarm with enable/ disable switch for unattended security.
- LED indicators for visual display of fault conditions.
- Greater than 99% efficiency for substantial energy savings when used as batteryless UPS.
- Remote monitoring via DB9 port.
- Galvanically isolated AC inputs.
- 70-90% reduction in CAPEX and OPEX when used as a batteryless UPS.
- Integral primary and backup rocker circuit breakers are readily visible and easily accessible at the rear.
- Allows redundant AC power to mission-critical equipment with any combination of UPS, generator, or other autonomous AC power sources.
- Rugged steel enclosure can be rack, wall or floor mounted with optional mounting brackets.

SPECIFICATION	ATS-800-2000	ATS-800-4000	ATS-800-6000	ATS-800-8000
<b>ELECTRICAL</b>				
VA at 120 V	1800	2400	3600	4800
Current rating	15 A	20 A	30 A	40 A
Switching technology	Mechanical relays			
<b>INPUT</b>				
Voltage range	120 V; 92 - 132 V ± 2.5 % nominal			
Frequency range	47 to 63 Hz, Caution: Both sources must use same nominal frequency			
Transfer time	Under one cycle			
Input / output wire size	14 AWG / 2.08 mm <sup>2</sup>	12 AWG / 3.3 mm <sup>2</sup>	10 AWG / 5.26 mm <sup>2</sup>	8 AWG / 8.36 mm <sup>2</sup>
AC input and output connections	Hardwire terminals			
<b>OUTPUT</b>				
Voltage / Current	120 V / 15, 20, 30 or 40A			
Load regulation	1 % from no load to full load			
Power efficiency	99 % or higher			
AC distribution	Hardwire terminals			
LED indicators:	Green: Primary output, Yellow: Backup output, Red: Primary or backup AC is out of tolerance			
Audible alarm	Buzzer beeps when loss of primary or backup AC occurs			
Audible alarm on / off	Enable / Disable switch			
Alarm contacts	Rear-mounted DB-9 connector sends loss of primary / backup AC			
<b>PHYSICAL</b>				
Dimensions: inches / mm	W: 16.63" / 422 mm H: 1.7" / 43 mm D: 10.5" / 267 mm			
Weight: lbs / kg	8 lbs. / 3.63 kg			
Integral 19"/482.6 mm Front Rack-Mount	Standard			
<b>ENVIRONMENTAL</b>				
Ambient temperature	32° to 104° F / 0° to 40° C			
<b>AGENCY APPROVALS</b>				
Safety	UL 60950-1 Issue: 2007/03/27 Ed:2 UL Standard for Safety Information Technology Equipment - Safety - Part 1: General Requirements - CSA C22.2#60950-1 Issued: 2007/03/01 Ed:2 Information Technology Equipment Safety Part 1: General Requirements			
<b>WARRANTY</b>				
Warranty	Two year limited warranty covers parts and labor			



**TSI POWER**  
 1103 W Pierce Avenue  
 Antigo, WI 54409 USA  
 Tel: + 1-800-874-3160  
 Fax: + 1-715-623-2426  
 sales@tsipower.com  
 www.tsipower.com



ATS System Architecture

TSI POWER's ongoing product improvement process makes specifications subject to change. Other companies product names herein are for identification purposes only and may be trademarks of their respective companies.