

ATS

ATS Model

800-3900

15 A
230 V

800-5900

20 A
230 V

800-7900

30 A
230 V

800-9900

40 A
230 V

TWO AC INPUTS - ONE AC OUTPUT / AUTOMATIC TRANSFER SWITCH

Automatic transfer switches

The ATS-800 automatic transfer switch is designed for multiple autonomous power sources. The ATS can be utilized as single or multiple units for different levels of redundancy.



Front view showing enable/disable audible alarm switch and LED status

Typical ATS applications

Applications include but are not limited to telecom, data centers, industrial control, automatic test equipment, oil & gas and utilities.

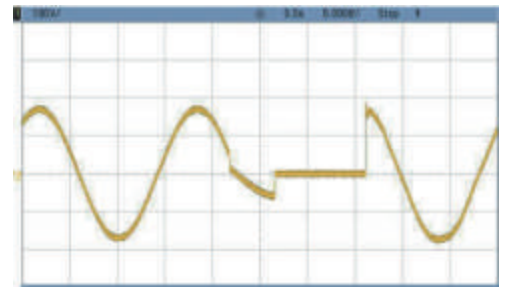


Rear view showing hardwire cover, DB-9 connector, primary and backup circuit

How the ATS works

The ATS works with asynchronous or out-of-phase power sources. Customers with special requirements can request custom programming to address special use situations.

The ATS is fed by two AC power sources. When the primary power source loses power, the ATS switches the load to the backup power source in under one cycle. This is fast enough to be invisible to even the most sensitive equipment.



Typical transfer between primary and backup power

CE



TSI
POWER

1103 W Pierce Avenue
Antigo, WI 54409 USA
Tel: +1-800-874-3160
Fax: +1-715-623-2426
sales@tsipower.com
www.tsipower.com

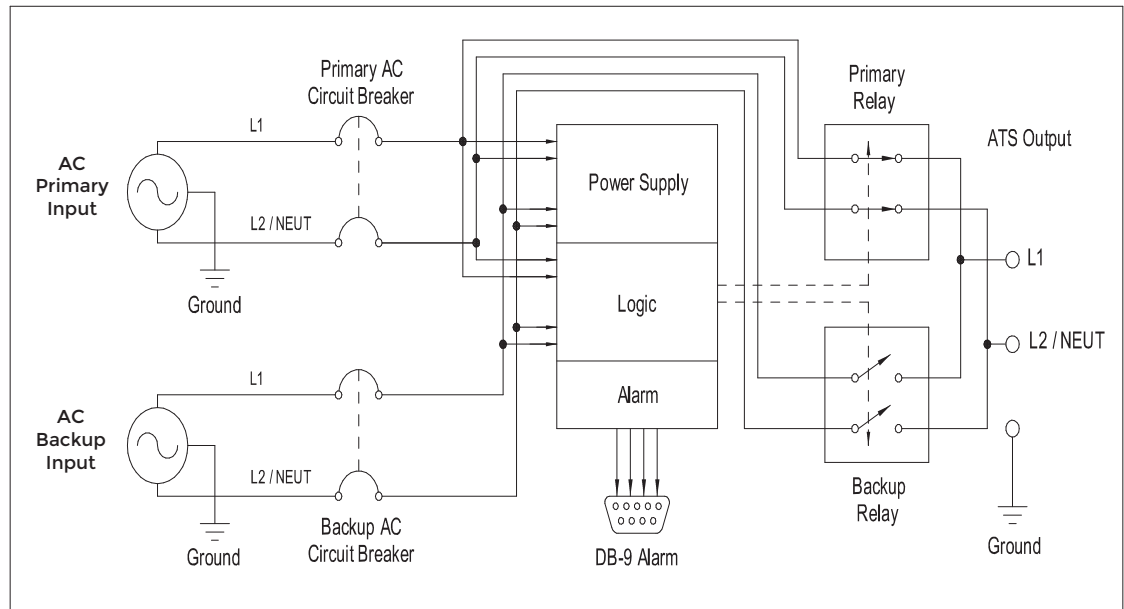
Features and Benefits

- Accepts asynchronous inputs from most supply voltages, including out-of-phase.
- Transfer time of under one cycle - fast enough for even the most sensitive loads.
- Audible alarm with enable/ disable switch for unattended security.
- LED indicators for visual display of fault conditions.
- Greater than 99% efficiency for substantial energy savings when used as batteryless UPS.
- Remote monitoring via DB9 port.
- Galvanically isolated AC inputs.
- 70-90% reduction in CAPEX and OPEX when used as a batteryless UPS.
- Integral primary and backup rocker circuit breakers are readily visible and easily accessible at the rear.
- Allows redundant AC power to mission-critical equipment with any combination of UPS, generator, or other autonomous AC power sources.
- Rugged steel enclosure can be rack, wall or floor mounted with optional mounting brackets.
- Only hard-wired automatic transfer switch on the market.

| SPECIFICATION | ATS-800-3900 | ATS-800-5900 | ATS-800-7900 | ATS-800-9900 |
|--|---|--------------|--------------|--------------|
| ELECTRICAL | | | | |
| VA at 230 V | 3450 | 4600 | 6900 | 9200 |
| Current rating | 15 A | 20 A | 30 A | 40 A |
| Switching technology | Mechanical relays | | | |
| INPUT | | | | |
| Voltage range | 230 V; 184 - 264 V ± 2.5 % nominal | | | |
| Frequency range | 47 to 63 Hz, Caution: Both sources must use same nominal frequency | | | |
| Transfer time | Under one cycle | | | |
| AC input and output connections | Hardwire terminals | | | |
| OUTPUT | | | | |
| Voltage / Current | 230 V / 15, 20, 30 or 40 A | | | |
| Load regulation | 1 % from no load to full load | | | |
| Power efficiency | 99 % or higher | | | |
| AC distribution | Hardwire terminals | | | |
| LED indicators: | Green: Primary output, Yellow: Backup output, Red: Primary or backup AC is out of tolerance | | | |
| Audible alarm | Buzzer beeps when loss of primary or backup AC occurs | | | |
| Audible alarm on / off | Enable / Disable switch | | | |
| Alarm contacts | Rear-mounted DB-9 connector sends loss of primary / backup AC | | | |
| PHYSICAL | | | | |
| Dimensions: mm / inches | W: 422 mm / 16.63" H: 43 mm / 1.7" D: 267 mm / 10.5" | | | |
| Weight: kg / lbs. | 3.63 kg / 8 lbs. | | | |
| Integral 482.6 mm / 19" Front Rack-Mount | Standard | | | |
| ENVIRONMENTAL | | | | |
| Ambient temperature | 0° to 40° C / 32° to 104° F | | | |
| AGENCY APPROVALS | | | | |
| Safety | EN 60950-1 | | | |
| EMC | Radiated: EN55022-1 Immunity: EN55024 | | | |
| WARRANTY | | | | |
| Warranty | Two year limited warranty covers parts and labor | | | |



1103 W Pierce Avenue
 Antigo, WI 54409 USA
 Tel: +1-800-874-3160
 Fax: + 1-715-623-2426
 sales@tsipower.com
 www.tsipower.com



ATS System Architecture

TSI POWER's ongoing product improvement process makes specifications subject to change. Other companies product names herein are for identification purposes only and may be trademarks of their respective companies.