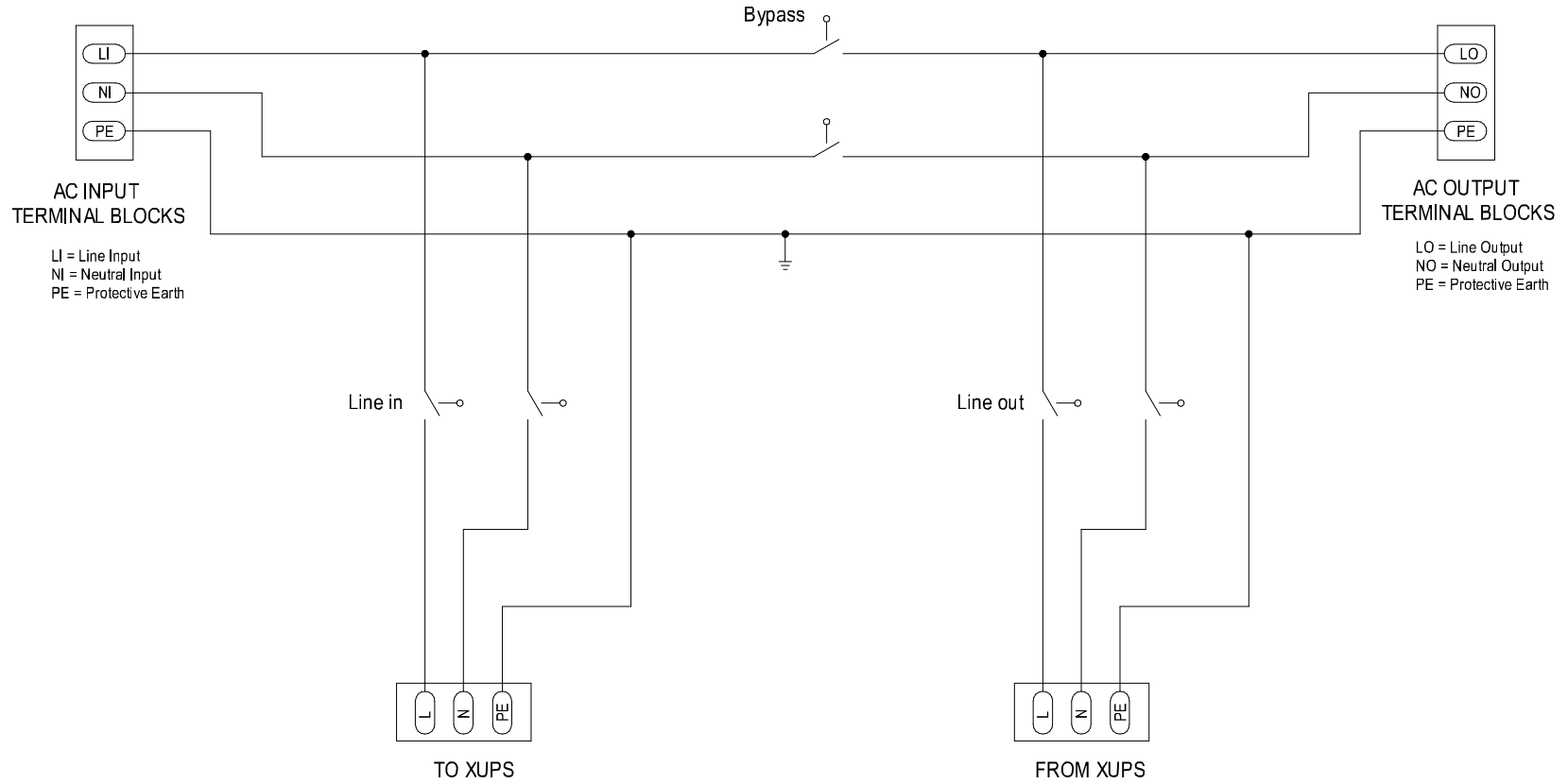


NEMA 3R Enclosure

230 V, 16 A, Rotary Bypass Switch



THE CONTENT OF THIS DOCUMENT IS THE EXCLUSIVE PROPERTY OF TSI POWER CORPORATION, AND MAY NOT BE REPRODUCED, COPIED, OR USED FOR ANY PURPOSE WHATSOEVER, WITHOUT PRIOR WRITTEN PERMISSION OF TSI POWER CORPORATION.

TSI POWER CORPORATION

WIRE DIAGRAM

Outdoor XUPS
Maintenance Bypass Option

FIG. NO. SSODBYPASS	
APPROVED: LANCE BARSKE	REV. 0
DATE: 4/2/2018	PAGE 1 OF 1