



| Three Phase Wye 6 - 125 kVA |



The VRP is a highly sophisticated automatic precision AC voltage regulator that ensures maintenance free operation of electronic equipment over a very wide input voltage range.

TSI Power's VRP series is designed to provide high precision power with industry leading response time of one-half line cycle (10 ms or less).

Features and Benefits

Standby operation minimizes interaction with existing loads or power distribution systems, while being compatible with most loads

Wide input range ($\pm 20\%$) and precise output regulation ($\pm 3\%$) provides superior performance.

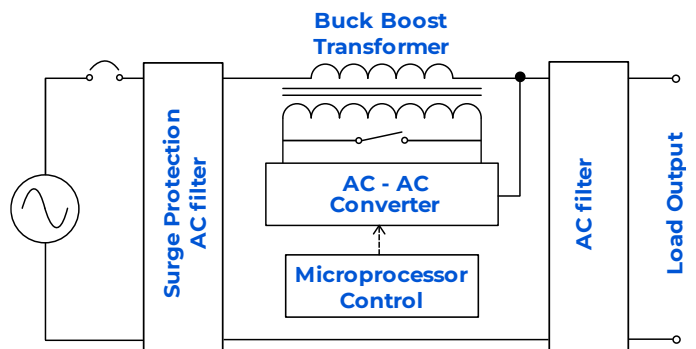
Various AC input/output connector type wiring terminals facilitate specific applications.

Internal surge protection and noise filtering assures trouble-free operation.

AC input circuit breakers and load over-current protection prevents costly equipment damage.

Customizable for unique and challenging applications.

How the VRP works



The high frequency Insulated Gate Bi-polar Transistor (IGBT) driven converter takes the incoming AC power, measures it against the nominal voltage reference and adds or subtracts voltage to achieve a precisely regulated rated output voltage. The automatic bypass will be activated when there is a fault condition. Green LEDs are used to indicate Normal (regulating mode) operation.

Technical Specifications*

[208 V_{L-L} / 120 V_{L-N}]

| Model | VRP-6k-C11B | VRP-9k-C11B | VRP-9k-C22B |
|---|--|------------------|------------------|
| Electrical | | | |
| Capacity / (kVA) | 5.76 | 8.64 | 8.64 |
| Design topology | High-performance PWM voltage regulator operating at 20 kHz | | |
| Voltage correction time | 8 ms (½ line cycle) | | |
| AC Input | | | |
| Input voltage range | 208 V _{L-L} / 120 V _{L-N} ± 20% (96 – 144 V _{L-N}) | | |
| Frequency | 60 Hz ± 5 % | | |
| Input circuit breaker rating | 20 A | 30 A | 30 A |
| AC Input connector | Hard-wired | Hard-wired | NEMA L21-30P |
| Surge protection | Three-stage surge protector protects both the VRP and connected equipment from surges & spikes | | |
| AC Output | | | |
| Output voltage | 208 V L-L / 120 V L-N ± 3% | | |
| Power efficiency | 97% typical (for load of 50 to 100%) | | |
| Maximum rated output current | 16 A | 24 A | 24 A |
| System status indicator | Green LED ON-Normal operation - Amber LED ON-Bypass operation Red LED ON-Fault | | |
| Output connector | Hard-wired | Hard-wired | NEMA L21-30R |
| Physical | | | |
| Dimension [^] | Type 1 | | |
| Weight | 220 lbs / 100 kg | 230 lbs / 104 kg | 230 lbs / 104 kg |
| Mounting | Casters | | |
| Environmental | | | |
| Operating temperature range | 32° to +104° F (0° to +40° C) | | |
| Operating humidity range | 10 to 90% relative humidity (non-condensing) | | |
| Operating altitude range | 0 to 2,000 meters (6,600 ft) above sea level (without derating output power) | | |
| Storage temperature range | -4° to +140° F (-20° to +60°C) | | |
| Safety | | | |
| Agency approvals | Designed to meet UL 60950 (UL/cUL listing pending) | | |
| Warranty | | | |
| Two-year limited warranty on parts and labor | | | |

[^]**Note:** Refer to Page 13 and Page 14 for detailed dimensions.

Technical Specifications*

[208 V_{L-L} / 120 V_{L-N}]

| Model | VRP-14k-C11B | VRP-23k-C11B | VRP-29k-C11B | VRP-50k-C11B |
|---|--|------------------|------------------|------------------|
| Electrical | | | | |
| Capacity / (kVA) | 14.40 | 23.04 | 28.80 | 50.00 |
| Design topology | High-performance PWM voltage regulator operating at 20 kHz | | | |
| Voltage correction time | 8 ms (½ line cycle) | | | |
| AC Input | | | | |
| Input voltage range | 208 V _{L-L} / 120 V _{L-N} ± 20% (96 – 144 V _{L-N}) | | | |
| Frequency | 60 Hz ± 5 % | | | |
| Input Circuit breaker rating | 50 A | 80 A | 100 A | None |
| AC Input connector | Hard-wired | | | |
| Surge protection | Three-stage surge protector protects both the VRP and connected equipment from surges & spikes | | | |
| AC Output | | | | |
| Output voltage | 208 V L-L / 120 V L-N ± 3% | | | |
| Power efficiency | 97% typical (for load of 50 to 100%) | | | |
| Maximum rated output current | 40 A | 64 A | 80 A | 139 A |
| System status indicator | Green LED ON-Normal operation - Amber LED ON-Bypass operation Red LED ON-Fault | | | |
| Output connector | Hard-wired | | | |
| Physical | | | | |
| Dimension [^] | Type 1 | | | Type 2 |
| Weight | 260 lbs / 118 kg | 325 lbs / 147 kg | 340 lbs / 154 kg | 600 lbs / 272 kg |
| Mounting | Casters standard, optional C-channel floor mounting kit | | | |
| Environmental | | | | |
| Operating Temperature Range | 32° to +104° F (0° to +40° C) | | | |
| Operating Humidity Range | 10 to 90% relative humidity (non-condensing) | | | |
| Operating altitude range | 0 to 2,000 meters (6,600 ft) above sea level (without derating output power) | | | |
| Storage temperature range | -4° to +140° F (-20° to +60°C) | | | |
| Safety | | | | |
| Agency approvals | Designed to meet UL 60950 (UL/cUL listing pending) | | | |
| Warranty | | | | |
| Two-year limited warranty on parts and labor | | | | |

[^]**Note:** Refer to Page 13 and Page 14 for detailed dimensions.

Technical Specifications*

[220 V_{L-L} / 127 V_{L-N}]

| Model | VRP-6k-D11B | VRP-9k-D11B | VRP-9k-D22B |
|---|--|------------------|------------------|
| Electrical | | | |
| Capacity / (kVA) | 6.10 | 9.14 | 9.14 |
| Design topology | High-performance PWM voltage regulator operating at 20 kHz | | |
| Voltage correction time | 8 ms (½ line cycle) | | |
| AC Input | | | |
| Input voltage range | 220 VL-L / 127 VL-N ± 20% (102 – 152 VL-N) | | |
| Frequency | 60 Hz ± 5 % | | |
| Input circuit breaker rating | 20 A | 30 A | 30 A |
| AC Input connector | Hard-wired | Hard-wired | NEMA L21-30P |
| Surge protection | Three-stage surge protector protects both the VRP and connected equipment from surges & spikes | | |
| AC Output | | | |
| Output voltage | 220 V L-L / 127 V L-N ± 3% | | |
| Power efficiency | 97% typical (for load of 50 to 100%) | | |
| Maximum rated output current | 16 A | 24 A | 24 A |
| System status indicator | Green LED ON-Normal operation - Amber LED ON-Bypass operation Red LED ON-Fault | | |
| Output connector | Hard-wired | Hard-wired | NEMA L21-30R |
| Physical | | | |
| Dimension [^] | Type 1 | | |
| Weight | 220 lbs / 100 kg | 230 lbs / 104 kg | 230 lbs / 104 kg |
| Mounting | Casters standard, optional C-channel floor mounting kit | | |
| Environmental | | | |
| Operating temperature range | 32° to +104° F (0° to +40° C) | | |
| Operating humidity range | 10 to 90% relative humidity (non-condensing) | | |
| Operating altitude range | 0 to 2,000 meters (6,600 ft) above sea level (without derating output power) | | |
| Storage temperature range | -4° to +140° F (-20° to +60°C) | | |
| Safety | | | |
| Agency approvals | Designed to meet UL 60950 (UL/cUL listing pending) | | |
| Warranty | | | |
| Two-year limited warranty on parts and labor | | | |

[^]**Note:** Refer to Page 13 and Page 14 for detailed dimensions.

Technical Specifications*

[220 V_{L-L} / 127 V_{L-N}]

| Model | VRP-14k-D11B | VRP-23k-D11B | VRP-29k-D11B | VRP-50k-D11B |
|---|--|------------------|------------------|------------------|
| Electrical | | | | |
| Capacity / (kVA) | 15.24 | 23.38 | 30.48 | 50.00 |
| Design topology | High-performance PWM voltage regulator operating at 20 kHz | | | |
| Voltage correction time | 8 ms (½ line cycle) | | | |
| AC Input | | | | |
| Input voltage range | 220 V _{L-L} / 127 V _{L-N} ± 20% (102 – 152 V _{L-N}) | | | |
| Frequency | 60 Hz ± 5 % | | | |
| Input Circuit breaker rating | 50 A | 80 A | 100 A | None |
| AC Input connector | Hard-wired | | | |
| Surge protection | Three-stage surge protector protects both the VRP and connected equipment from surges & spikes | | | |
| AC Output | | | | |
| Output voltage | 220 V L-L / 127 V L-N ± 3% | | | |
| Power efficiency | 97% typical (for load of 50 to 100%) | | | |
| Maximum rated output current | 40 A | 64 A | 80 A | 131 A |
| System status indicator | Green LED ON-Normal operation - Amber LED ON-Bypass operation Red LED ON-Fault | | | |
| Output connector | Hard-wired | | | |
| Physical | | | | |
| Dimension [^] | Type 1 | | | Type 2 |
| Weight | 260 lbs / 118 kg | 325 lbs / 147 kg | 340 lbs / 154 kg | 600 lbs / 272 kg |
| Mounting | Casters standard, optional C-channel floor mounting kit | | | |
| Environmental | | | | |
| Operating Temperature Range | 32° to +104° F (0° to +40° C) | | | |
| Operating Humidity Range | 10 to 90% relative humidity (non-condensing) | | | |
| Operating altitude range | 0 to 2,000 meters (6,600 ft) above sea level (without derating output power) | | | |
| Storage temperature range | -4° to +140° F (-20° to +60°C) | | | |
| Safety | | | | |
| Agency approvals | Designed to meet UL 60950 (UL/cUL listing pending) | | | |
| Warranty | | | | |
| Two-year limited warranty on parts and labor | | | | |

[^]**Note:** Refer to Page 13 and Page 14 for detailed dimensions.

Technical Specifications*

[400 V_{L-L} / 230 V_{L-N}]

| Model | VRP-6k-F11A | VRP-8k-F11A | VRP-17k-F11A |
|---|--|------------------|------------------|
| Electrical | | | |
| Capacity / (kVA) | 5.52 | 8.28 | 16.56 |
| Design topology | High-performance PWM voltage regulator operating at 20 kHz | | |
| Voltage correction time | 10 ms (½ line cycle) | | |
| AC Input | | | |
| Input voltage range | 400 V _{L-L} / 230 V _{L-N} ± 20% (184 – 276 V _{L-N}) | | |
| Frequency | 50 / 60 Hz ± 5 % | | |
| Input Circuit breaker rating | 10 A | 15 A | 30 A |
| AC Input connector | Hard-wired | | |
| Surge protection | Three-stage surge protector protects both the VRP and connected equipment from surges & spikes | | |
| AC Output | | | |
| Output voltage | 400 V _{L-L} / 230 V _{L-N} ± 3% | | |
| Power efficiency | 97% typical (for load of 50 to 100%) | | |
| Maximum rated output current | 8 A | 12 A | 24 A |
| System status indicator | Green LED ON-Normal operation - Amber LED ON-Bypass operation Red LED ON-Fault | | |
| Output connector | Hard-wired | | |
| Physical | | | |
| Dimension [^] | Type 1 | | |
| Weight | 220 lbs / 100 kg | 230 lbs / 105 kg | 260 lbs / 118 kg |
| Mounting | Casters standard, optional C-channel floor mounting kit | | |
| Environmental | | | |
| Operating Temperature Range | 32° to +104° F (0° to +40° C) | | |
| Operating Humidity Range | 10 to 90% relative humidity (non-condensing) | | |
| Operating altitude range | 0 to 2,000 meters (6,600 ft) above sea level (without derating output power) | | |
| Storage temperature range | -4° to +140° F (-20° to +60°C) | | |
| Safety | | | |
| Agency approvals | Designed to meet EN 60950 (CE mark pending) | | |
| Warranty | | | |
| Two-year limited warranty on parts and labor | | | |

[^]**Note:** Refer to Page 13 and Page 14 for detailed dimensions.

Technical Specifications*

[400 V_{L-L} / 230 V_{L-N}]

| Model | VRP-22k-F11A | VRP-28k-F11A | VRP-44k-F11A | VRP-50k-F11A |
|---|--|------------------|------------------|------------------|
| Electrical | | | | |
| Capacity / (kVA) | 22.08 | 27.60 | 44.16 | 49.68 |
| Design topology | High-performance PWM voltage regulator operating at 20 kHz | | | |
| Voltage correction time | 10 ms (½ line cycle) | | | |
| AC Input | | | | |
| Input voltage range | 400 V _{L-L} / 230 V _{L-N} ± 20% (184 – 276 V _{L-N}) | | | |
| Frequency | 50 / 60 Hz ± 5 % | | | |
| Input Circuit breaker rating | 40 A | 50 A | 80 A | 90 A |
| AC Input connector | Hard-wired | | | |
| Surge protection | Three-stage surge protector protects both the VRP and connected equipment from surges & spikes | | | |
| AC Output | | | | |
| Output voltage | 400 V _{L-L} / 230 V _{L-N} ± 3% | | | |
| Power efficiency | 97% typical (for load of 50 to 100%) | | | |
| Maximum rated output current | 32 A | 40 A | 64 A | 72 A |
| System status indicator | Green LED ON-Normal operation - Amber LED ON-Bypass operation Red LED ON-Fault | | | |
| Output connector | Hard-wired | | | |
| Physical | | | | |
| Dimension [^] | Type 1 | | | Type 2 |
| Weight | 323 lbs / 147 kg | 339 lbs / 154 kg | 359 lbs / 163 kg | 378 lbs / 172 kg |
| Mounting | Casters standard, optional C-channel floor mounting kit | | | |
| Environmental | | | | |
| Operating Temperature Range | 32° to +104° F (0° to +40° C) | | | |
| Operating Humidity Range | 10 to 90% relative humidity (non-condensing) | | | |
| Operating altitude range | 0 to 2,000 meters (6,600 ft) above sea level (without derating output power) | | | |
| Storage temperature range | -4° to +140° F (-20° to +60°C) | | | |
| Safety | | | | |
| Agency approvals | Designed to meet EN 60950 (CE mark pending) | | | |
| Warranty | | | | |
| Two-year limited warranty on parts and labor | | | | |

[^]**Note:** Refer to Page 13 and Page 14 for detailed dimensions.

Technical Specifications*

[400 V_{L-L} / 230 V_{L-N}]

| Model | VRP-55k-F11A | VRP-104k-F11A |
|---|--|------------------|
| Electrical | | |
| Capacity / (kVA) | 55.2 | 103.8 |
| Design topology | High-performance PWM voltage regulator operating at 20 kHz | |
| Voltage correction time | 10 ms (½ line cycle) | |
| AC Input | | |
| Input voltage range | 400 V _{L-L} / 230 V _{L-N} ± 20% (184 – 276 V _{L-N}) | |
| Frequency | 50 / 60 Hz ± 5 % | |
| Input Circuit breaker rating | 100 A | None |
| AC Input connector | Hard-wired | |
| Surge protection | Three-stage surge protector protects both the VRP and connected equipment from surges & spikes | |
| AC Output | | |
| Output voltage | 400 V _{L-L} / 230 V _{L-N} ± 3% | |
| Power efficiency | 97% typical (for load of 50 to 100%) | |
| Maximum rated output current | 8 A | |
| System status indicator | Green LED ON-Normal operation - Amber LED ON-Bypass operation Red LED ON-Fault | |
| Output connector | Hard-wired | |
| Physical | | |
| Dimension [^] | Type 1 | |
| Weight | 220 lbs / 100 kg | 230 lbs / 105 kg |
| Mounting | Casters standard, optional C-channel floor mounting kit | |
| Environmental | | |
| Operating Temperature Range | 32° to +104° F (0° to +40° C) | |
| Operating Humidity Range | 10 to 90% relative humidity (non-condensing) | |
| Operating altitude range | 0 to 2,000 meters (6,600 ft) above sea level (without derating output power) | |
| Storage temperature range | -4° to +140° F (-20° to +60°C) | |
| Safety | | |
| Agency approvals | Designed to meet EN 60950 (CE mark pending) | |
| Warranty | | |
| Two-year limited warranty on parts and labor | | |

[^]**Note:** Refer to Page 13 and Page 14 for detailed dimensions.

Technical Specifications*

[415 V_{L-L} / 240 V_{L-N}]

| Model | VRP-6k-G11A | VRP-9k-G11A | VRP-17k-G11A |
|---|--|------------------|------------------|
| Electrical | | | |
| Capacity / (kVA) | 5.76 | 8.64 | 17.28 |
| Design topology | High-performance PWM voltage regulator operating at 20 kHz | | |
| Voltage correction time | 10 ms (½ line cycle) | | |
| AC Input | | | |
| Input voltage range | 415 V _{L-L} / 240 V _{L-N} ± 20% (192 – 288 V _{L-N}) | | |
| Frequency | 50 / 60 Hz ± 5 % | | |
| Input Circuit breaker rating | 10 A | 15 A | 30 A |
| AC Input connector | Hard-wired | | |
| Surge protection | Three-stage surge protector protects both the VRP and connected equipment from surges & spikes | | |
| AC Output | | | |
| Output voltage | 415 V _{L-L} / 240 V _{L-N} ± 3% | | |
| Power efficiency | 97% typical (for load of 50 to 100%) | | |
| Maximum rated output current | 8 A | 12 A | 24 A |
| System status indicator | Green LED ON-Normal operation - Amber LED ON-Bypass operation Red LED ON-Fault | | |
| Output connector | Hard-wired | | |
| Physical | | | |
| Dimension [^] | Type | | |
| Weight | 220 lbs / 100 kg | 230 lbs / 105 kg | 260 lbs / 118 kg |
| Mounting | Casters standard, optional C-channel floor mounting kit | | |
| Environmental | | | |
| Operating Temperature Range | 32° to +104° F (0° to +40° C) | | |
| Operating Humidity Range | 10 to 90% relative humidity (non-condensing) | | |
| Operating altitude range | 0 to 2,000 meters (6,600 ft) above sea level (without derating output power) | | |
| Storage temperature range | -4° to +140° F (-20° to +60°C) | | |
| Safety | | | |
| Agency approvals | Designed to meet EN 60950 (CE mark pending) | | |
| Warranty | | | |
| Two-year limited warranty on parts and labor | | | |

[^]**Note:** Refer to Page 13 and Page 14 for detailed dimensions.

Technical Specifications*

[415 V_{L-L} / 240 V_{L-N}]

| Model | VRP-23k-G11A | VRP-29k-G11A | VRP-46k-G11A |
|---|--|------------------|------------------|
| Electrical | | | |
| Capacity / (kVA) | 23.04 | 28.80 | 46.08 |
| Design topology | High-performance PWM voltage regulator operating at 20 kHz | | |
| Voltage correction time | 10 ms (½ line cycle) | | |
| AC Input | | | |
| Input voltage range | 415 V _{L-L} / 240 V _{L-N} ± 20% (192 – 288 V _{L-N}) | | |
| Frequency | 50 / 60 Hz ± 5 % | | |
| Input Circuit breaker rating | 40 A | 50 A | 80 A |
| AC Input connector | Hard-wired | | |
| Surge protection | Three-stage surge protector protects both the VRP and connected equipment from surges & spikes | | |
| AC Output | | | |
| Output voltage | 415 V _{L-L} / 240 V _{L-N} ± 3% | | |
| Power efficiency | 97% typical (for load of 50 to 100%) | | |
| Maximum rated output current | 32 A | 40 A | 60 A |
| System status indicator | Green LED ON-Normal operation - Amber LED ON-Bypass operation Red LED ON-Fault | | |
| Output connector | Hard-wired | | |
| Physical | | | |
| Dimension [^] | Type 1 | | |
| Weight | 325 lbs / 147 kg | 340 lbs / 154 kg | 360 lbs / 163 kg |
| Mounting | Casters standard, optional C-channel floor mounting kit | | |
| Environmental | | | |
| Operating Temperature Range | 32° to +104° F (0° to +40° C) | | |
| Operating Humidity Range | 10 to 90% relative humidity (non-condensing) | | |
| Operating altitude range | 0 to 2,000 meters (6,600 ft) above sea level (without derating output power) | | |
| Storage temperature range | -4° to +140° F (-20° to +60°C) | | |
| Safety | | | |
| Agency approvals | Designed to meet EN 60950 (CE mark pending) | | |
| Warranty | | | |
| Two-year limited warranty on parts and labor | | | |

[^]**Note:** Refer to Page 13 and Page 14 for detailed dimensions.

Technical Specifications*

[415 V_{L-L} / 240 V_{L-N}]

| Model | VRP-52k-G11A | VRP-58k-G11A | VRP-104k-G11A |
|---|--|------------------|------------------|
| Electrical | | | |
| Capacity / (kVA) | 51.84 | 57.56 | 103.79 |
| Design topology | High-performance PWM voltage regulator operating at 20 kHz | | |
| Voltage correction time | 10 ms (½ line cycle) | | |
| AC Input | | | |
| Input voltage range | 415 V _{L-L} / 240 V _{L-N} ± 20% (192 – 288 V _{L-N}) | | |
| Frequency | 50 / 60 Hz ± 5 % | | |
| Input Circuit breaker rating | 90 A | 100 A | None |
| AC Input connector | Hard-wired | | |
| Surge protection | Three-stage surge protector protects both the VRP and connected equipment from surges & spikes | | |
| AC Output | | | |
| Output voltage | 415 V _{L-L} / 240 V _{L-N} ± 3% | | |
| Power efficiency | 97% typical (for load of 50 to 100%) | | |
| Maximum rated output current | 72 A | 80 A | 144.2 A |
| System status indicator | Green LED ON-Normal operation - Amber LED ON-Bypass operation Red LED ON-Fault | | |
| Output connector | Hard-wired | | |
| Physical | | | |
| Dimension [^] | Type 1 | | Type 2 |
| Weight | 380 lbs / 172 kg | 400 lbs / 181 kg | 900 lbs / 408 kg |
| Mounting | Casters standard, optional C-channel floor mounting kit | | |
| Environmental | | | |
| Operating Temperature Range | 32° to +104° F (0° to +40° C) | | |
| Operating Humidity Range | 10 to 90% relative humidity (non-condensing) | | |
| Operating altitude range | 0 to 2,000 meters (6,600 ft) above sea level (without derating output power) | | |
| Storage temperature range | -4° to +140° F (-20° to +60°C) | | |
| Safety | | | |
| Agency approvals | Designed to meet EN 60950 (CE mark pending) | | |
| Warranty | | | |
| Two-year limited warranty on parts and labor | | | |

[^]**Note:** Refer to Page 13 and Page 14 for detailed dimensions.

Technical Specifications*

[480 V_{L-L} / 277 V_{L-N}]

| Model | VRP-7k-J11B | VRP-10k-J11B | VRP-20k-J11B |
|---|--|------------------|------------------|
| Electrical | | | |
| Capacity / (kVA) | 6.65 | 9.97 | 19.94 |
| Design topology | High-performance PWM voltage regulator operating at 20 kHz | | |
| Voltage correction time | 8 ms (½ line cycle) | | |
| AC Input | | | |
| Input voltage range | 480 V _{L-L} / 277 V _{L-N} ± 20% (221 – 332 V _{L-N}) | | |
| Frequency | 60 Hz ± 5 % | | |
| Input Circuit breaker rating | 10 A | 15 A | 30 A |
| AC Input connector | Hard-wired | | |
| Surge protection | Three-stage surge protector protects both the VRP and connected equipment from surges & spikes | | |
| AC Output | | | |
| Output voltage | 480 V _{L-L} / 277 V _{L-N} ± 3% | | |
| Power efficiency | 97% typical (for load of 50 to 100%) | | |
| Maximum rated output current | 8 A | 12 A | 24 A |
| System status indicator | Green LED ON-Normal operation - Amber LED ON-Bypass operation Red LED ON-Fault | | |
| Output connector | Hard-wired | | |
| Physical | | | |
| Dimension [^] | Type 1 | | |
| Weight | 220 lbs / 100 kg | 230 lbs / 105 kg | 260 lbs / 118 kg |
| Mounting | Casters standard, optional C-channel floor mounting kit | | |
| Environmental | | | |
| Operating Temperature Range | 32° to +104° F (0° to +40° C) | | |
| Operating Humidity Range | 10 to 90% relative humidity (non-condensing) | | |
| Operating altitude range | 0 to 2,000 meters (6,600 ft) above sea level (without derating output power) | | |
| Storage temperature range | -4° to +140° F (-20° to +60°C) | | |
| Safety | | | |
| Agency approvals | Designed to meet UL 60950 (UL/cUL listing pending) | | |
| Warranty | | | |
| Two-year limited warranty on parts and labor | | | |

[^]**Note:** Refer to Page 13 and Page 14 for detailed dimensions.

Technical Specifications*

[480 V_{L-L} / 277 V_{L-N}]

| Model | VRP-27k-J11B | VRP-33k-J11B | VRP-53k-J11B |
|---|--|------------------|------------------|
| Electrical | | | |
| Capacity / (kVA) | 26.59 | 33.24 | 53.18 |
| Design topology | High-performance PWM voltage regulator operating at 20 kHz | | |
| Voltage correction time | 8 ms (½ line cycle) | | |
| AC Input | | | |
| Input voltage range | 480 V _{L-L} / 277 V _{L-N} ± 20% (221 – 332 V _{L-N}) | | |
| Frequency | 60 Hz ± 5 % | | |
| Input Circuit breaker rating | 40 A | 50 A | 80 A |
| AC Input connector | Hard-wired | | |
| Surge protection | Three-stage surge protector protects both the VRP and connected equipment from surges & spikes | | |
| AC Output | | | |
| Output voltage | 480 V _{L-L} / 277 V _{L-N} ± 3% | | |
| Power efficiency | 97% typical (for load of 50 to 100%) | | |
| Maximum rated output current | 32 A | 40 A | 64 A |
| System status indicator | Green LED ON-Normal operation - Amber LED ON-Bypass operation Red LED ON-Fault | | |
| Output connector | Hard-wired | | |
| Physical | | | |
| Dimension [^] | Type 1 | | |
| Weight | 325 lbs / 147 kg | 340 lbs / 154 kg | 360 lbs / 163 kg |
| Mounting | Casters standard, optional C-channel floor mounting kit | | |
| Environmental | | | |
| Operating Temperature Range | 32° to +104° F (0° to +40° C) | | |
| Operating Humidity Range | 10 to 90% relative humidity (non-condensing) | | |
| Operating altitude range | 0 to 2,000 meters (6,600 ft) above sea level (without derating output power) | | |
| Storage temperature range | -4° to +140° F (-20° to +60°C) | | |
| Safety | | | |
| Agency approvals | Designed to meet UL 60950 (UL/cUL listing pending) | | |
| Warranty | | | |
| Two-year limited warranty on parts and labor | | | |

[^]**Note:** Refer to Page 13 and Page 14 for detailed dimensions.

Technical Specifications*

[480 V_{L-L} / 277 V_{L-N}]

| Model | VRP-60k-J11B | VRP-66k-J11B | VRP-125k-J11B |
|---|--|------------------|------------------|
| Electrical | | | |
| Capacity / (kVA) | 59.83 | 66.48 | 125.00 |
| Design topology | High-performance PWM voltage regulator operating at 20 kHz | | |
| Voltage correction time | 8 ms (½ line cycle) | | |
| AC Input | | | |
| Input voltage range | 480 V _{L-L} / 277 V _{L-N} ± 20% (221 – 332 V _{L-N}) | | |
| Frequency | 60 Hz ± 5 % | | |
| Input Circuit breaker rating | 90 A | 100 A | None |
| AC Input connector | Hard-wired | | |
| Surge protection | Three-stage surge protector protects both the VRP and connected equipment from surges & spikes | | |
| AC Output | | | |
| Output voltage | 480 V _{L-L} / 277 V _{L-N} ± 3% | | |
| Power efficiency | 97% typical (for load of 50 to 100%) | | |
| Maximum rated output current | 72 A | 80 A | 150 A |
| System status indicator | Green LED ON-Normal operation - Amber LED ON-Bypass operation Red LED ON-Fault | | |
| Output connector | Hard-wired | | |
| Physical | | | |
| Dimension [^] | Type 1 | | Type 2 |
| Weight | 380 lbs / 172 kg | 400 lbs / 181 kg | 900 lbs / 408 kg |
| Mounting | Casters standard, optional C-channel floor mounting kit | | |
| Environmental | | | |
| Operating Temperature Range | 32° to +104° F (0° to +40° C) | | |
| Operating Humidity Range | 10 to 90% relative humidity (non-condensing) | | |
| Operating altitude range | 0 to 2,000 meters (6,600 ft) above sea level (without derating output power) | | |
| Storage temperature range | -4° to +140° F (-20° to +60°C) | | |
| Safety | | | |
| Agency approvals | Designed to meet UL 60950 (UL/cUL listing pending) | | |
| Warranty | | | |
| Two-year limited warranty on parts and labor | | | |

[^]**Note:** Refer to Page 13 and Page 14 for detailed dimensions.

Model Number Selection Guide

VRP- - - -

Rated frequency

| Frequency | Suffix |
|-----------|--------|
| 50/60 Hz | A |
| 60 Hz | B |

Input / Output wiring connections*

| Wiring connection | Suffix |
|-------------------|--------|
| Hard-wired | 11 |
| NEMA L21 | 22 |

Rated voltage (L-N/L-L)

| Voltage | Suffix |
|-------------|--------|
| 120 V/208 V | C |
| 127 V/220 V | D |
| 230 V/400 V | F |
| 240 V/415 V | G |
| 277 V/480 V | J |

Rated capacity in kVA

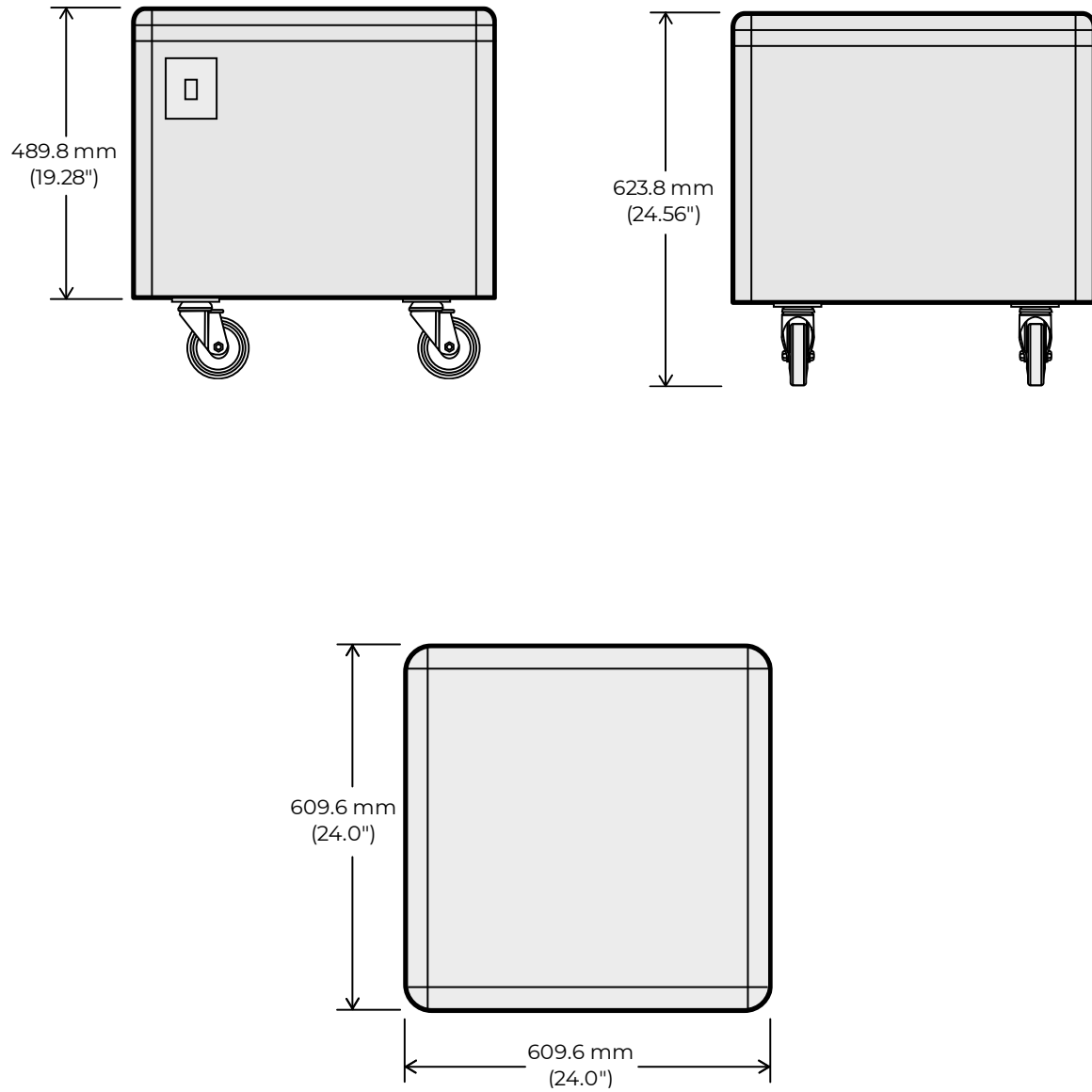
| 208 V | 220 V | 400 V | 415 V | 480 V |
|-------|-------|-------|-------|-------|
| 6 | 6 | 6 | 6 | 7 |
| 9 | 9 | 8 | 9 | 10 |
| 14 | 15 | 17 | 17 | 20 |
| 23 | 24 | 22 | 23 | 27 |
| 29 | 30 | 28 | 29 | 33 |
| 50 | 50 | 44 | 46 | 53 |
| | | 50 | 52 | 60 |
| | | 104 | 58 | 66 |
| | | | 104 | 125 |

Example:

Model VRP-20k-J11B will have rated capacity of 20 kVA, rated voltage of three phase 480V, with hard wired input and output connectors, and rated frequency of 60 Hz.

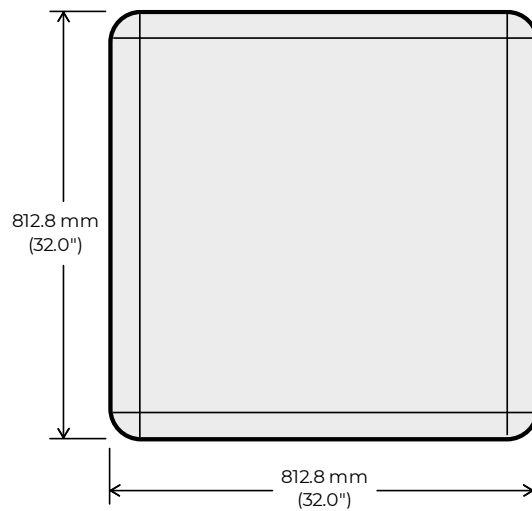
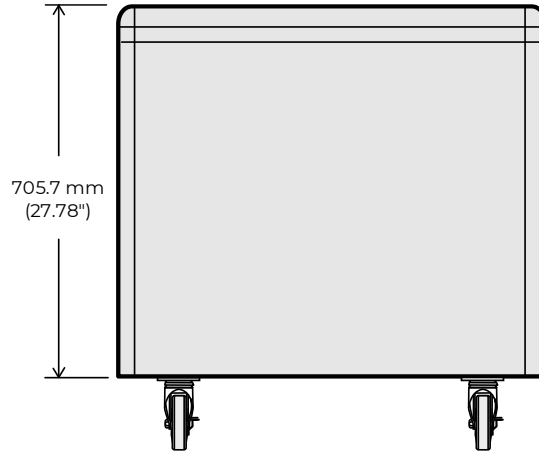
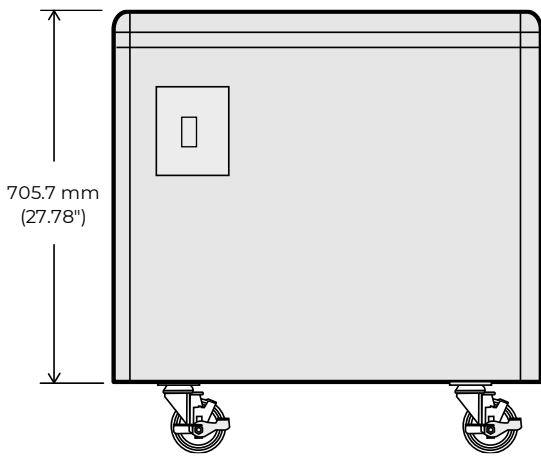
Dimensions

Type 1



Dimensions

Type 2



TSI Power Corporation

| 1103 W Pierce Avenue, Antigo, WI 54409 USA |
| Tel: + 1-715-623-0636 (US) / + 65-9842-6601(Asia) |
| sales@tsipower.com | www.tsipower.com |